

EXCELLENS RM

wall rosette

11122060 - 11122072 - 11122100
N11122060 - N11122072 - N11122100
E11122060 - E11122072 - E11122100
SCD100032 - SCD100033 - SCD100077
SCD100078 - SCD100192



TECHNICAL SPECIFICATIONS:

- Stiff, shockproof, anti-UVA and recyclable PVC
- Outer cover flange
- Heat shrink barcode packaging
- Made of 2 interlocking pieces
- Allows pipes to transit walls with an excellent cosmetic look
- Paintable
- Operating temperature -20°C / +60°C

MODELS AVAILABLE:



TOP LINE - IVORY
RAL 9002



NEW LINE -
WHITE RAL 9010



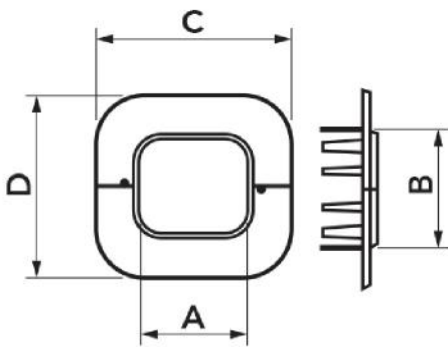
ECO LINE - PEARL
GREY RAL 9003



BROWN LINE -
BROWN RAL 8017



BLACK LINE -
BLACK RAL 9005



DIMENSIONS

CODE	MODEL	LINE	A [mm]	B [mm]	C [mm]	D [mm]
11122060	RM 60 - EXC	TOP LINE	66	56	105	97
11122072	RM 72 - EXC	TOP LINE	78	68	120	112
11122100	RM 100 - EXC	TOP LINE	104	78	167	143
N11122060	RM 60 - EXC	NEW LINE	66	56	105	97
N11122072	RM 72 - EXC	NEW LINE	78	68	120	112
N11122100	RM 100 - EXC	NEW LINE	104	78	167	143
E11122060	RM 60 - EXC	ECO LINE	66	56	105	97
E11122072	RM 72 - EXC	ECO LINE	78	68	120	112
E11122100	RM 100 - EXC	ECO LINE	104	78	167	143
SCD100032	RM 72 - EXC	BROWN LINE	78	68	120	112
SCD100033	RM 100 - EXC	BROWN LINE	104	78	167	143
SCD100077	RM 72 - EXC	BLACK LINE	78	68	120	112
SCD100078	RM 100 - EXC	BLACK LINE	104	78	167	143
SCD100192	RM 72 - EXC	GREY LINE	78	68	120	112

ITEMS

CODE	DESCRIPTION
11122060	RM 60-EXC - "EXCELLENS RM" LINE WALL FLANGE
11122072	RM 72-EXC - "EXCELLENS RM" LINE WALL FLANGE
11122100	RM 100-EXC - "EXCELLENS RM" LINE WALL FLANGE
N11122060	RM 60-EXC - "EXCELLENS RM" LINE WALL FLANGE
N11122072	RM 72-EXC - "EXCELLENS RM" LINE WALL FLANGE
N11122100	RM 100-EXC - "EXCELLENS RM" LINE WALL FLANGE
E11122060	RM 60-EXC - "EXCELLENS RM" LINE WALL FLANGE
E11122072	RM 72-EXC - "EXCELLENS RM" LINE WALL FLANGE
E11122100	RM 100-EXC - "EXCELLENS RM" LINE WALL FLANGE
SCD100032	RM 72-EXC - * WALL FLANGE "EXCELLENS RM" MOD. RM 72-EXC - BROWN LINE
SCD100033	RM 100-EXC - * WALL FLANGE "EXCELLENS RM" MOD. RM 100-EXC - BROWN LINE
SCD100077	RM 72-EXC - * WALL FLANGE "EXCELLENS RM" MOD. RM 72-EXC - BLACK LINE
SCD100078	RM 100-EXC - * WALL FLANGE "EXCELLENS RM" MOD. RM 100-EXC - BLACK LINE
SCD100192	WALL FLANGE "EXCELLENS RM" MOD. RM 72-EXC - GREY LINE - RM 72-EXC