

DATASHEET

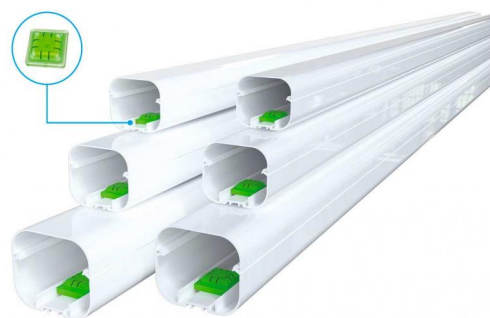
rev. 01 - 16/09/2022

MADE IN ITALY

EXCELLENS TB

duct with level

B-N11120060 - B-N11120072 - B-N11120010
B-E11120060 - B-E11120072 - B-E11120010



TECHNICAL SPECIFICATIONS:

- Stiff, shockproof, anti-UVA and recyclable PVC
- Rounded bottom and lid
- Clip-together central fastening
- Pre-punched slots in bottom for wall mounting
- Four-way sliding spirit level supplied on each 2m bar
- Prepared for insertion of the mini pumps Easy Flow, Easy One, Aqua Split (only model TB 72-EXC)
- Length 2 m
- Paintable
- Operating temperature -20°C / +60°C

MODELS AVAILABLE:

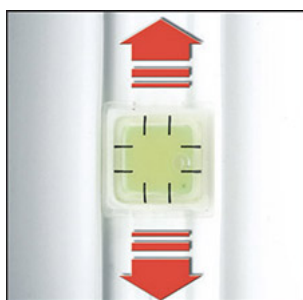


NEW LINE -
WHITE RAL 9010

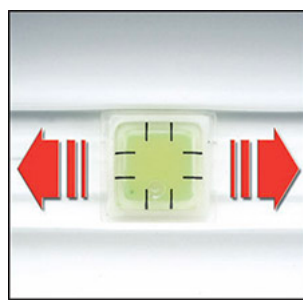


ECO LINE - PEARL
GREY RAL 9003

EXAMPLE OF INSTALLATION:



Vertikale duct



Horizontal duct

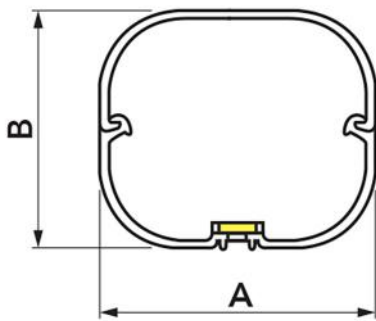
INSTALLATION PROCEDURES



Duct installation without built-in level



Duct installation with built-in level



DIMENSIONS

CODE	MODEL	LINE	A [mm]	B [mm]
B-N11120060	TB 60 - EXC	NEW LINE	60	52
B-N11120072	TB 72 - EXC	NEW LINE	72	64
B-N11120010	TB 100 - EXC	NEW LINE	98	73
B-E11120060	TB 60 - EXC	ECO LINE	60	52
B-E11120072	TB 72 - EXC	ECO LINE	72	64
B-E11120010	TB 100 - EXC	ECO LINE	98	73

ITEMS

CODE	DESCRIPTION
B-N11120060	TB 60-EXC - "EXCELLENS TB" LINE TRUNKING WITH SPIRIT LEVEL - 2 mt. long
B-N11120072	TB 72-EXC - "EXCELLENS TB" LINE TRUNKING WITH SPIRIT LEVEL - 2 mt. long
B-N11120010	TB 100-EXC - "EXCELLENS TB" LINE TRUNKING WITH SPIRIT LEVEL - 2 mt. long
B-E11120060	TB60-EXC - "EXCELLENS TB" LINE TRUNKING WITH SPIRIT LEVEL - 2 mt. long
B-E11120072	TB72-EXC - "EXCELLENS TB" LINE TRUNKING WITH SPIRIT LEVEL - 2 mt. long
B-E11120010	TB100-EXC - "EXCELLENS TB" LINE TRUNKING WITH SPIRIT LEVEL - 2 mt. long