

DATASHEET

rev. 02 - 18/10/2022



In-line circular duct fan

ACC500002 - ACC500003 - ACC500004
ACC500005 - ACC500006

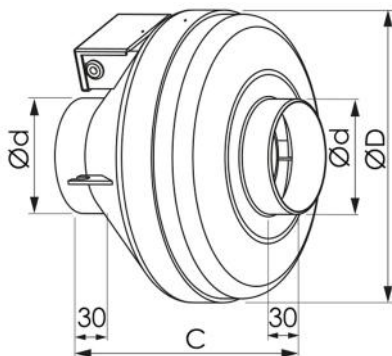


TECHNICAL SPECIFICATIONS:

- Made of ABS
- Installation protection rating IP24
- Motor protection rating IP54
- Assembly axial on pipe

PACK COMPLETE WITH

- 1 In-line fan
- 1 User manual



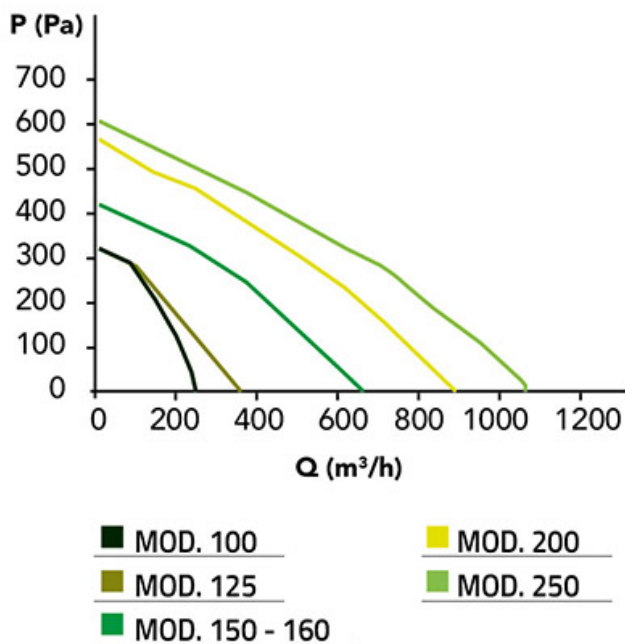
DIMENSIONS

CODE	Ø d [mm]	Ø D [mm]	C [mm]
ACC500002	99	251	215
ACC500003	124	251	220
ACC500004	149/159	340	229
ACC500005	199	339	250
ACC500006	249	339	250

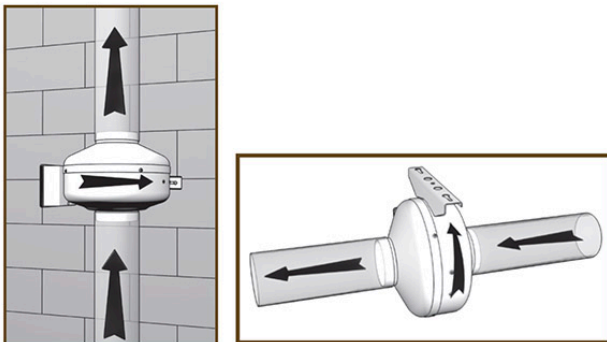
TECHNICAL DATA

MODEL	Ø 100	Ø 125	Ø 150/160	Ø 200	Ø 250
Power supply [V]	230	230	230	230	230
Absorbed current [A]	0,24	0,24	0,39	0,61	0,95
Power [W]	52		85	135	210
Air flow rate [m³/h]	265	370	680	900	1100
RPM	2350		2700	2650	2500
Sound level 3 m [dB(A)]	52	51	57	55	53
Operating temperature max [°C]	60	60	60	60	60
Weight [kg]	2,5	2,4	3,7	4,5	4,8

PERFORMANCE GRAPHS



EXAMPLE OF INSTALLATION:



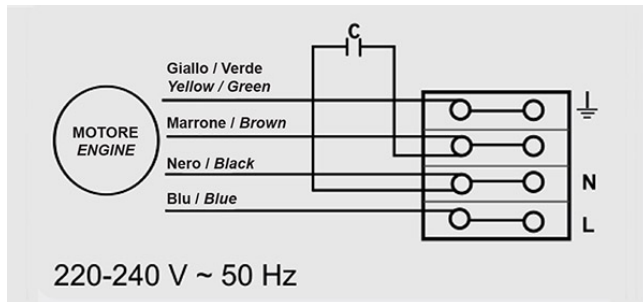
ATTENTION!

For flow direction check the fan body

INTENDED USE

The centrifugal in-line fans are suitable for use in public and residential buildings as well as in service buildings of industrial companies

WIRING DIAGRAM



ITEMS

CODE	DESCRIPTION
ACC500002	IN LINE FAN FOR CIRCULAR DUCT, D.100
ACC500003	IN LINE FAN FOR CIRCULAR DUCT, D.125
ACC500004	IN LINE FAN FOR CIRCULAR DUCT, D.150/160
ACC500005	IN LINE FAN FOR CIRCULAR DUCT, D.200
ACC500006	IN LINE FAN FOR CIRCULAR DUCT, D.250