

# DATASHEET

rev. 03 - 5/11/2022

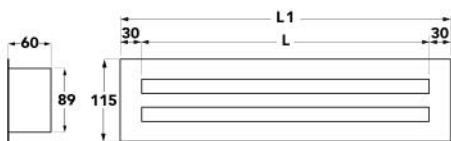
Linear diffuser with 2 slot shutter in anodised aluminium - white painted aluminium RAL 9016

PWC300017 - PWC300018 - PWC300019  
PWC300020 - PWC300021 - PWC300022  
PWC300023 - PWC300024 - PWC300025  
PWC300026



## TECHNICAL SPECIFICATIONS:

- Made of anodised or white painted aluminium RAL 9016
- With 2 slots and adjustable deflectors
- Built-in calibration damper
- Installation height 2.5 - 3.1 m
- Fastening by means of front screws with internal mobile bracket



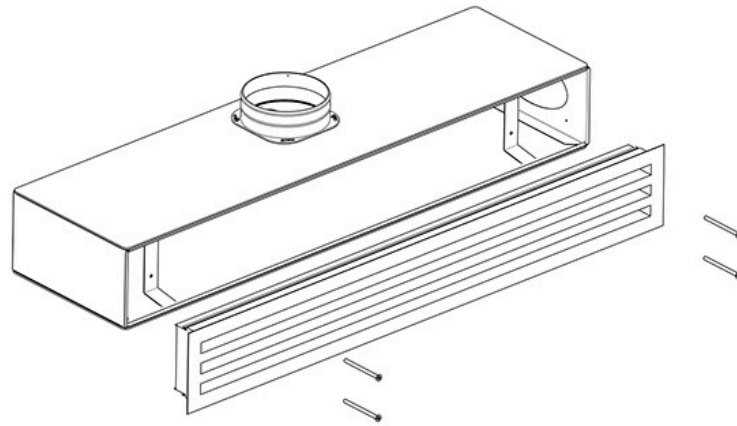
## DIMENSIONS

CODE	L [mm]	L1 [mm]	COLOUR
PWC300017	600	660	WHITE
PWC300018	600	660	ALUMINIUM
PWC300019	800	860	WHITE
PWC300020	800	860	ALUMINIUM
PWC300021	1000	1060	WHITE
PWC300022	1000	1060	ALUMINIUM
PWC300023	1500	1560	WHITE
PWC300024	1500	1560	ALUMINIUM
PWC300025	2000	2060	WHITE
PWC300026	2000	2060	ALUMINIUM

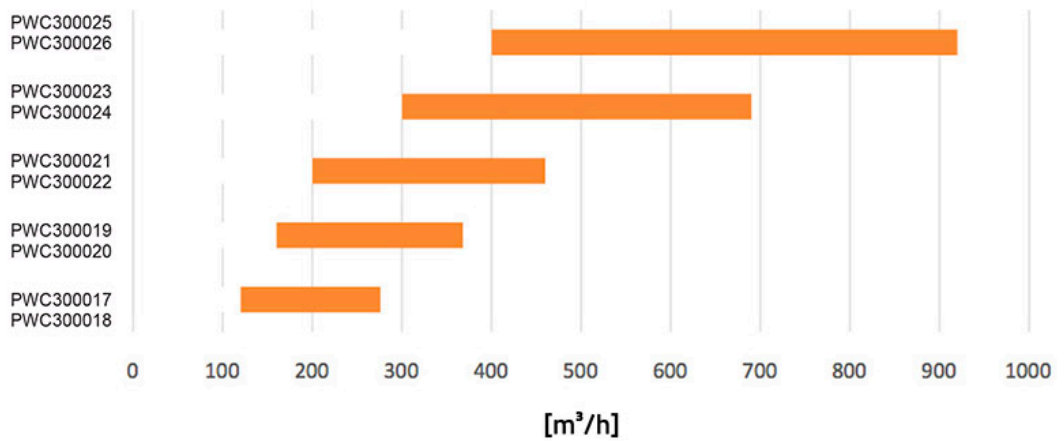
## TECHNICAL DATA

CODE	Ak [m²]	Q [m³/h] MIN	Q [m³/h] MAX	LwA [dB(A)] MIN	LwA [dB(A)] MAX	X(0.25) - Y(0.25) MIN [m]	X(0.25) - Y(0.25) MAX [m]	Dpt [Pa] MIN	Dpt [Pa] MAX
PWC300017	0,00964	120	276	33	47	4,1	9,2	10	50
PWC300018	0,00964	120	276	33	47	4,1	9,2	10	50
PWC300019	0,01447	160	368	33	47	4,1	9,2	10	50
PWC300020	0,01447	160	368	33	47	4,1	9,2	10	50
PWC300021	0,01930	200	460	33	47	4,1	9,2	10	50
PWC300022	0,01930	200	460	33	47	4,1	9,2	10	50
PWC300023	0,03138	300	690	33	47	4,1	9,2	10	50
PWC300024	0,03138	300	690	33	47	4,1	9,2	10	50
PWC300025	0,04346	400	920	33	47	4,1	9,2	10	50
PWC300026	0,04346	400	920	33	47	4,1	9,2	10	50

## EXAMPLE OF INSTALLATION:



## SHORTCUT DIAGRAM



## ITEMS

CODE	DESCRIPTION
PWC300017	2 SLOTS LINEAR DIFFUSER WITH DAMPER IN PAINTED ALUMINIUM L.600
PWC300018	2 SLOTS LINEAR DIFFUSER WITH DAMPER INANODISED ALUMINIUM L.600
PWC300019	2 SLOTS LINEAR DIFFUSER WITH DAMPER IN PAINTED ALUMINIUM L.800
PWC300020	2 SLOTS LINEAR DIFFUSER WITH DAMPER INANODISED ALUMINIUM L.800
PWC300021	2 SLOTS LINEAR DIFFUSER WITH DAMPER IN PAINTED ALUMINIUM L.1000
PWC300022	2 SLOTS LINEAR DIFFUSER WITH DAMPER INANODISED ALUMINIUM L.1000
PWC300023	2 SLOTS LINEAR DIFFUSER WITH DAMPER IN PAINTED ALUMINIUM L.1500
PWC300024	2 SLOTS LINEAR DIFFUSER WITH DAMPER INANODISED ALUMINIUM L.2000
PWC300025	2 SLOTS LINEAR DIFFUSER WITH DAMPER IN PAINTED ALUMINIUM L.2000
PWC300026	2 SLOTS LINEAR DIFFUSER WITH DAMPER INANODISED ALUMINIUM