

DATASHEET

rev. 00 - 10/11/2022

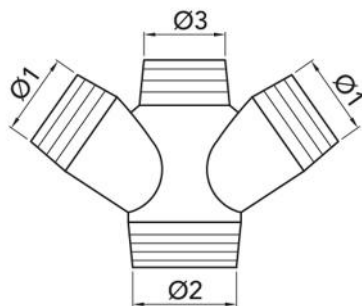
4-way shunt for ducted pipes

11126380



TECHNICAL SPECIFICATIONS:

- Made of HD PE.
- 4 Multi-diameter couplings
- Anti-condensation



DIMENSIONS

CODE	FOR TUBES SIZED [mm]	Ø 1 [mm]	Ø 2 [mm]	Ø 3 [mm]
11126380	200 - 150	150	200	150

ITEMS

CODE	DESCRIPTION
11126380	HDPE DOUBLE BRANCH TAKE OFF Ø 200/150/150/150