

DATASHEET

rev. 00 - 10/11/2022

MADE IN ITALY

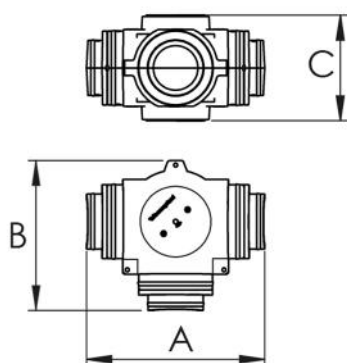
Multiple "T" shunt in sintered polystyrene for ducted pipes

PWD400194



TECHNICAL SPECIFICATIONS:

- Made of sintered polystyrene
- Suitable for ducted tubes (see coupling diameters as per table)



DIMENSIONS

CODE	A [mm]	B [mm]	C [mm]	Ø COUPLERS [mm]
PWD400194	472	398	280	200 / 150

ITEMS

CODE	DESCRIPTION
PWD400194	*T SHAPED POLYSTYRENE MULTIPLE BY-PASS FOR DUCTED PIPES 200/150