

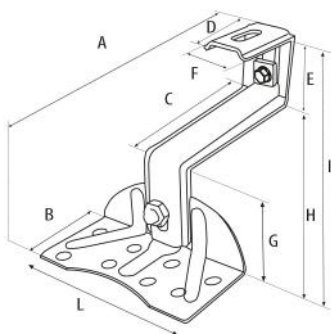
DATASHEET

rev. 00 - 00-00-0000

HS2DRT

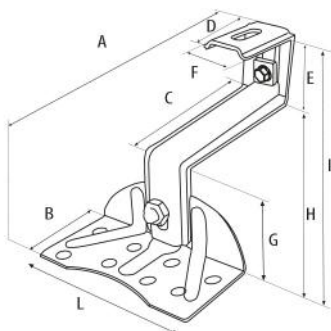
3 mm thick support double adjustment for tiled roofs

11111102 - 11111102BOX



LONG VERSION

CODE	A [mm]	B [mm]	C [mm]	D [mm]	E [mm]	F [mm]	G [mm]	H [mm]	I [mm]	L [mm]
11111102	190	70	120	60	60-75	40	67-78	70-81	146-172	120



SHORT VERSION

CODE	A [mm]	B [mm]	C [mm]	D [mm]	E [mm]	F [mm]	G [mm]	H [mm]	I [mm]	L [mm]
11111102	190	70	120	60	72-97	40	53-64	56-67	136-172	120

ITEMS

CODE	DESCRIPTION
11111102	SUPPORT WHIT DUAL REGULATION "HS2DRT"
11111102BOX	SUPPORT WHIT DUAL REGULATION "HS2DRT" - BOX 10 pcs