

## TSCT

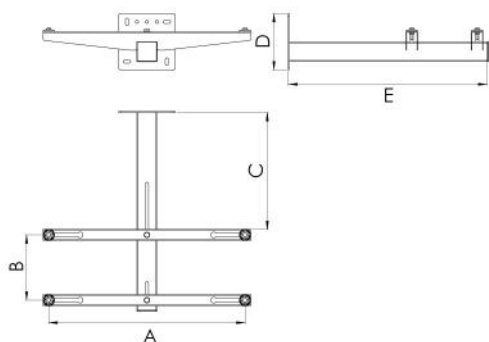
telescopic wall bracket for thermal insulation

SCD500141



### TECHNICAL SPECIFICATIONS:

- Made of electro-galvanised sheet metal
- Verniciatura poliesteri da esterno
- Antivibranti in dotazione
- Tasselli di fissaggio non in dotazione
- Fixing template supplied
- Thermal recovery insulation, supplied
- Piastre di finitura estetica in dotazione
- Possibilità di installare sulla staffa per cappotto il supporto per bacinella SCD500080



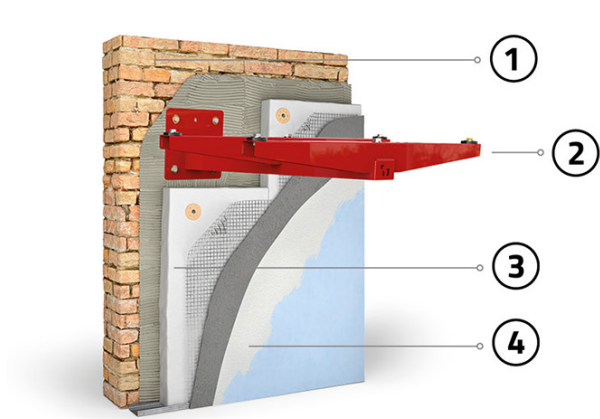
### DIMENSIONS

CODE	A [mm]	B [mm]	C [mm]	D [mm]	E [mm]	LOAD CAPACITY [kg]
SCD500141	490 ÷ 690	230 ÷ 410		200	700	90

### PACK COMPLETE WITH

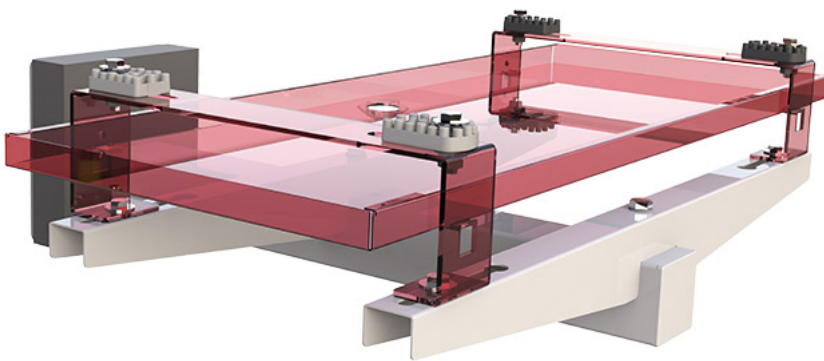
- sliding vibration dampers
- thermal recovery insulation pad 10 cm
- 1 instruction booklet
- cover for infill

**EXAMPLE OF INSTALLATION:**



- [1] Masonry
- [2] Insulation wall bracket
- [3] Insulation
- [4] Plaster

**EXAMPLE OF INSTALLATION:**



Basin support SCD500080 can be installed on the insulation bracket

**ITEMS**

CODE	DESCRIPTION
SCD500141	TELESCOPIC BRACKET FOR THERMAL CLADDING "TSCT"