

DATASHEET

rev. 00 - 19/09/2022

MADE IN ITALY

TSTT 140 A

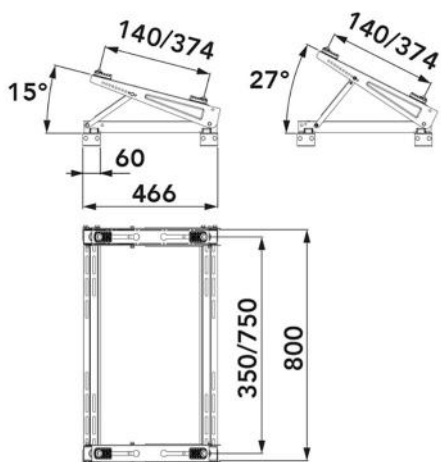
transverse roof bracket for crimped sheet metal

SCD500109



TECHNICAL SPECIFICATIONS:

- Made of electro-galvanised sheet metal
- Adjustable tilt from 14° to 27°
- External polyester painting RAL 9002
- "NO-SHOCK" sliding vibration dampers supplied
- With #4 clamp mounts for stainless steel standing seam sheets



DIMENSIONS

CODE	LOAD CAPACITY [kg]
SCD500109	140

PACK COMPLETE WITH

- "No-Shock" sliding vibration dampers
- 4 clamp supports for crimped sheet metal in stainless steel
- 1 instruction booklet

ITEMS

CODE	DESCRIPTION
SCD500109	ROOF BRACKET TSTT-140A FOR METAL SHEET ROOFS