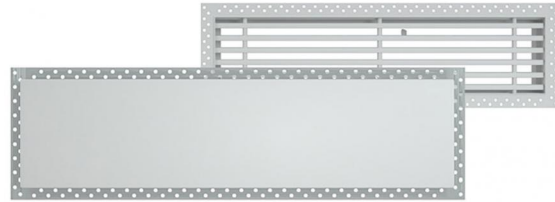


ATENA and IRIS

grilles with concealed frame for plasterboard

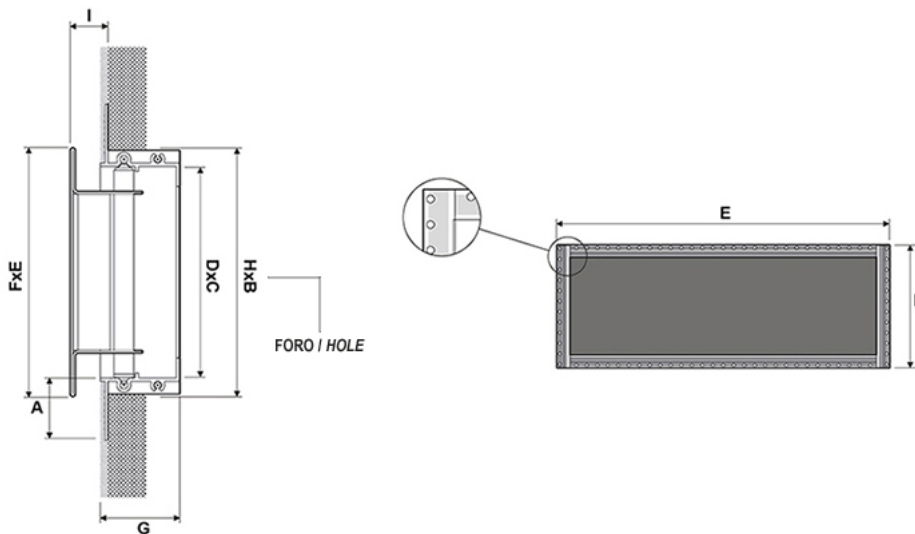
ACC600044 - ACC600045 - ACC600049
ACC600050



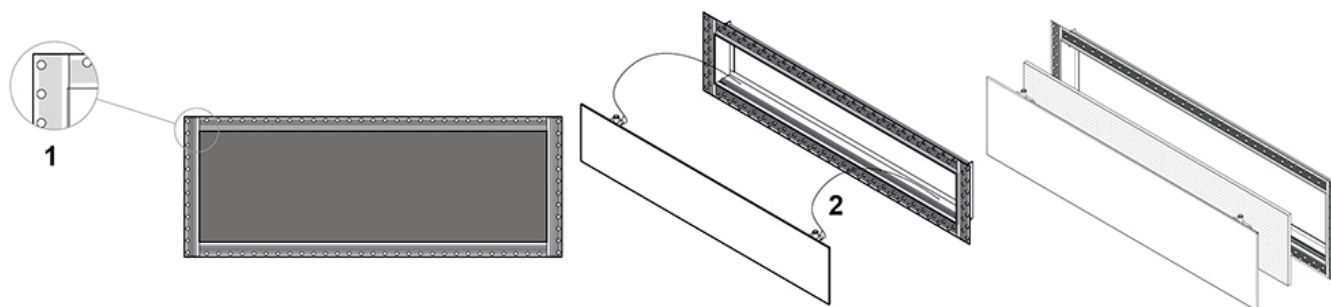
TECHNICAL SPECIFICATIONS:

- Made of anodised aluminium
- Air delivery and intake
- Grille with concealed frame and pull-out central zone
- Installation on frame support by means of screws
- G2 Filter
- Plenum for wall installation in plasterboard in electro-galvanised sheet metal prepared for $\varnothing 75$ and $\varnothing 92$ collars (separate)

MODELLO "ATENA"



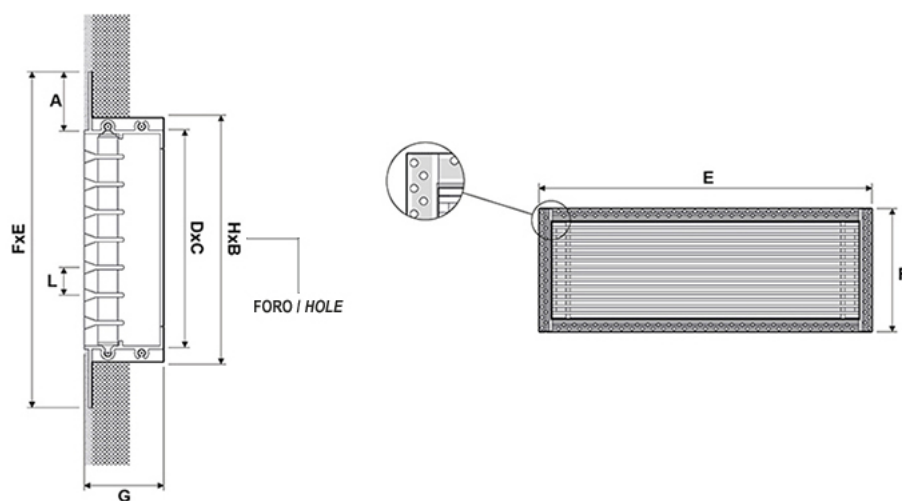
CODICE	A [mm]	B [mm]	C [mm]	D [mm]	E [mm]	F [mm]	G [mm]	I [mm]	H [mm]
ACC600044	25	200	185	85	235	135	32	12	100
ACC600045	25	300	285	85	335	135	32	12	100



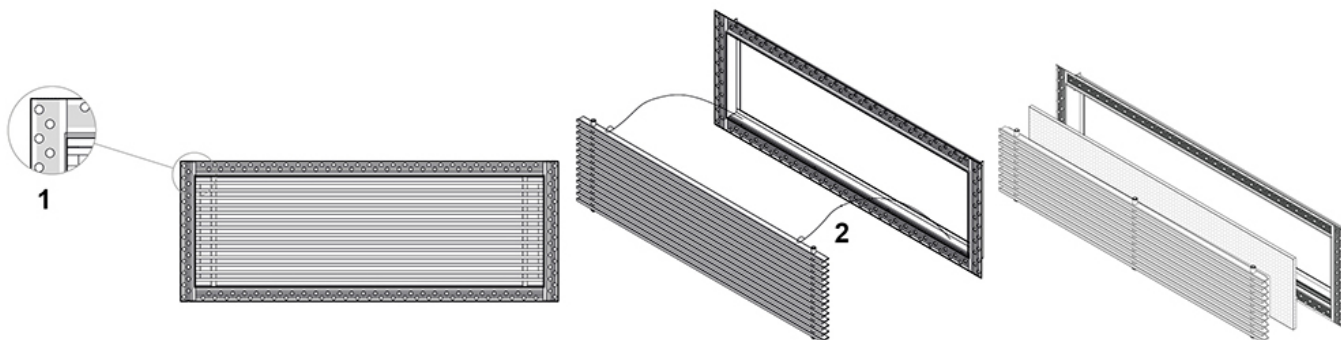
[1] Forature su tutta la cornice per favorire adesione materiali cementizi di mascheratura e per fissaggio del telaio

[2] Cordini di sicurezza

MODELLO "IRIS"



CODICE	A [mm]	B [mm]	C [mm]	D [mm]	E [mm]	F [mm]	G [mm]	H [mm]	L [mm]
ACC600049	25	200	185	85	235	135	32	100	12,5
ACC600050	25	300	285	85	335	135	32	100	12,5



[1] Forature su tutta la cornice per favorire adesione materiali cementizi di mascheratura e per fissaggio del telaio

[2] Cordini di sicurezza

DIMENSIONS

CODE	EXTERNAL DIMENSIONS [mm]	AIR FLOW RATE [m ³ /h]
ACC600044	200 x 100	30
ACC600045	300 x 100	40
ACC600049	200 x 100	50
ACC600050	300 x 100	80

ITEMS

CODE	DESCRIPTION
ACC600044	
ACC600045	
ACC600049	
ACC600050	