

# DATASHEET

rev. 00 - 21/11/2023

MADE IN ITALY

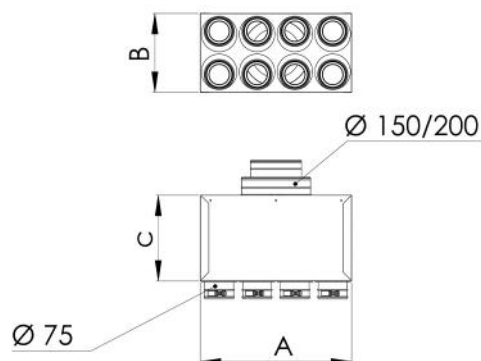
Galvanised sheet metal soundproofed plenum 4-6-8-10-12 outputs  $\varnothing$  75 with connectors complete with calibration damper with adjustment



ACD600121 - ACD600122 - ACD600123  
ACD600124 - ACD600125 - ACD600126  
ACD600127

## TECHNICAL SPECIFICATIONS:

- Made of galvanized sheet metal
- High sound insulation
- Internal sound absorber thickness 20mm
- Removable soundproofing septa
- Complete with brackets for ceiling mounting
- Output/input collars as per table
- Sleeves complete with calibration damper with graduated adjustment by screwdriver



## DIMENSIONS

CODE	A [mm]	B [mm]	C [mm]	INPUT Ø [mm]	No.of OUTLETS - Ø [mm]
ACD600121	360	240	500	150 / 200	4 - 75
ACD600122	360	240	500	150 / 200	6 - 75
ACD600123	660	240	500	150 / 200	8 - 75
ACD600124	660	240	500	150 / 200	10 - 75
ACD600125	660	240	500	150 / 200	12 - 75
ACD600126	360	240	500	100 / 125 / 150	4 - 75
ACD600127	360	240	500	100 / 125 / 150	6 - 75

## ITEMS

CODE	DESCRIPTION
ACD600121	SOUNDPROOF PLENUM MADE OF GALVANIZED SHEET METAL Ø 75 - 4 OUTLETS 150/200
ACD600122	SOUNDPROOF PLENUM MADE OF GALVANIZED SHEET METAL Ø 75 - 6 OUTLETS 150/200
ACD600123	SOUNDPROOF PLENUM MADE OF GALVANIZED SHEET METAL Ø 75 - 8 OUTLETS 150/200
ACD600124	SOUNDPROOF PLENUM MADE OF GALVANIZED SHEET METAL Ø 75 - 10 OUTLETS 150/200
ACD600125	SOUNDPROOF PLENUM MADE OF GALVANIZED SHEET METAL Ø 75 - 12 OUTLETS 150/200
ACD600126	SOUNDPROOF PLENUM MADE OF GALVANIZED SHEET METAL Ø 75 - 4 OUTLETS 100 / 125 / 150
ACD600127	SOUNDPROOF PLENUM MADE OF GALVANIZED SHEET METAL Ø 75 - 6 OUTLETS 100 / 125 / 150