

DATASHEET

rev. 00 - 21/11/2023

MADE IN ITALY

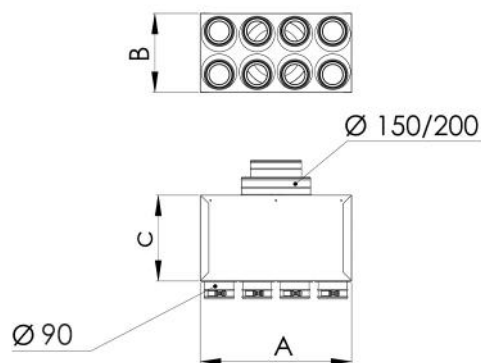
Galvanised sheet metal soundproofed plenum 4-6-8-10-12 outputs $\varnothing 90$ with connectors complete with calibration damper with adjustment

ACD600128 - ACD600129 - ACD600130
ACD600131 - ACD600132 - ACD600133
ACD600134



TECHNICAL SPECIFICATIONS:

- Made of galvanized sheet metal
- High sound insulation
- Internal sound absorber thickness 20mm
- Removable soundproofing septa
- Complete with brackets for ceiling mounting
- Output/input collars as per table
- Sleeves complete with calibration damper with graduated adjustment by screwdriver



DIMENSIONS

CODE	A [mm]	B [mm]	C [mm]	INPUT Ø [mm]	No.of OUTLETS - Ø [mm]
ACD600128	360	240	500	150 / 200	4 - 90
ACD600129	360	240	500	150 / 200	6 - 90
ACD600130	660	240	500	150 / 200	8 - 90
ACD600131	660	240	500	150 / 200	10 - 90
ACD600132	660	240	500	150 / 200	12 - 90
ACD600133	360	240	500	100 / 125 / 150	4 - 90
ACD600134	360	240	500	100 / 125 / 150	6 - 90

ITEMS

CODE	DESCRIPTION
ACD600128	SOUNDPROOF PLENUM MADE OF GALVANIZED SHEET METAL Ø 90 - 4 OUTLETS 150/200
ACD600129	SOUNDPROOF PLENUM MADE OF GALVANIZED SHEET METAL Ø 90 - 6 OUTLETS 150/200
ACD600130	SOUNDPROOF PLENUM MADE OF GALVANIZED SHEET METAL Ø 90 - 8 OUTLETS 150/200
ACD600131	SOUNDPROOF PLENUM MADE OF GALVANIZED SHEET METAL Ø 90 - 10 OUTLETS 150/200
ACD600132	SOUNDPROOF PLENUM MADE OF GALVANIZED SHEET METAL Ø 90 - 12 OUTLETS 150/200
ACD600133	SOUNDPROOF PLENUM MADE OF GALVANIZED SHEET METAL Ø 90 - 4 OUTLETS 100 / 125 / 150
ACD600134	SOUNDPROOF PLENUM MADE OF GALVANIZED SHEET METAL Ø 90 - 6 OUTLETS 100 / 125 / 150