

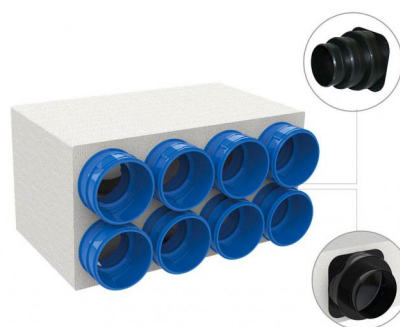
DATASHEET

rev. 00 - 20/10/2022

MADE IN ITALY

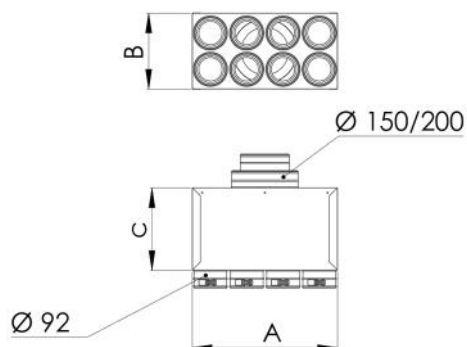
Insulated box in sheet metal for flexible ducted pipe 4 - 6 - 8 - 10 - 12 outputs \varnothing 92

ACD600006 - ACD600009 - ACD600012
ACD600015 - ACD600018 - ACD600061
ACD600062



TECHNICAL SPECIFICATIONS:

- Made of galvanized sheet metal
- External insulation in 3 mm thick polyethylene
- Air intake collar supplied
- Outgoing collars as shown in the table
- Complete with brackets for ceiling mounting



DIMENSIONS

CODE	A [mm]	B [mm]	C [mm]	INPUT \varnothing [mm]	No. of OUTLETS - \varnothing [mm]
ACD600006	220	230	250	150 / 200	4 - 92
ACD600009	330	230	250	150 / 200	6 - 92
ACD600012	440	230	250	150 / 200	8 - 92
ACD600015	550	230	250	150 / 200	10 - 92
ACD600018	660	230	250	150 / 200	12 - 92
ACD600061	220	230	250	100 / 125 / 150	4 - 92
ACD600062	330	220	250	100 / 125 / 150	6 - 92

ITEMS

CODE	DESCRIPTION
ACD600006	INSULATED SHEET METAL PLENUM FOR FLEXIBLE HOSE WITH 4 OUTLETS, Ø92
ACD600009	INSULATED SHEET METAL PLENUM FOR FLEXIBLE HOSE WITH 6 OUTLETS, Ø92
ACD600012	INSULATED SHEET METAL PLENUM FOR FLEXIBLE HOSE WITH 8 OUTLETS, Ø 92
ACD600015	INSULATED SHEET METAL PLENUM FOR FLEXIBLE HOSE WITH 10 OUTLETS, Ø92
ACD600018	INSULATED SHEET METAL PLENUM FOR FLEXIBLE HOSE WITH 12 OUTLETS, Ø92
ACD600061	
ACD600062	