

DATASHEET

rev. 00 - 21/11/2023

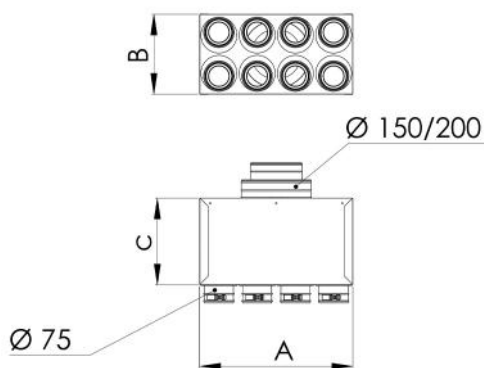
Insulated distribution plenum for CMV for flexible ducted hose 4-6-8-10-12 outputs \varnothing 75 with sleeves complete with calibration damper with adjustment

ACD600107 - ACD600108 - ACD600109
ACD600110 - ACD600111 - ACD600112
ACD600113



TECHNICAL SPECIFICATIONS:

- Made of galvanized sheet metal
- Internal insulation in 3 mm thick polyethylene
- Available with double collar \varnothing 150 - \varnothing 200 or triple by \varnothing 100 - \varnothing 125 - \varnothing 150
- Outgoing collars as shown in the table
- Complete with brackets for ceiling mounting
- Holes provided for the entry of the upper and rear collar
- Sleeves complete with calibration damper with graduated adjustment by screwdriver
- Plenum supplied pre-assembled



DIMENSIONS

CODE	A [mm]	B [mm]	C [mm]	INPUT Ø [mm]	No.of OUTLETS - Ø [mm]
ACD600107	230	240	250	150 / 200	4 - 75
ACD600108	350	240	250	150 / 200	6 - 75
ACD600109	465	240	250	150 / 200	8 - 75
ACD600110	580	240	250	150 / 200	10 - 75
ACD600111	700	240	250	150 / 200	12 - 75
ACD600112	230	240	250	100 / 125 / 150	4 - 75
ACD600113	350	240	250	100 / 125 / 150	6 - 75

ITEMS

CODE	DESCRIPTION
ACD600107	CMV INSULATED SHEET METAL PLENUM FOR FLEXIBLE CORRUGATED PIPE Ø75 4 OUTLETS Ø150/200
ACD600108	CMV INSULATED SHEET METAL PLENUM FOR FLEXIBLE CORRUGATED PIPE Ø75 6 OUTLETS Ø150/200
ACD600109	CMV INSULATED SHEET METAL PLENUM FOR FLEXIBLE CORRUGATED PIPE Ø75 8 OUTLETS Ø150/200
ACD600110	CMV INSULATED SHEET METAL PLENUM FOR FLEXIBLE CORRUGATED PIPE Ø75 10 OUTLETS Ø150/200
ACD600111	CMV INSULATED SHEET METAL PLENUM FOR FLEXIBLE CORRUGATED PIPE Ø75 12 OUTLETS Ø150/200
ACD600112	CMV INSULATED SHEET METAL PLENUM FOR FLEXIBLE CORRUGATED PIPE Ø75 4 OUTLETS Ø100/125/150
ACD600113	CMV INSULATED SHEET METAL PLENUM FOR FLEXIBLE CORRUGATED PIPE Ø75 6 OUTLETS Ø100/125/150