

DATASHEET

rev. 00 - 04/11/2023

SILENCE AIR PLUS

wall-mounted residential heat recovery unit, can be integrated with BMS systems

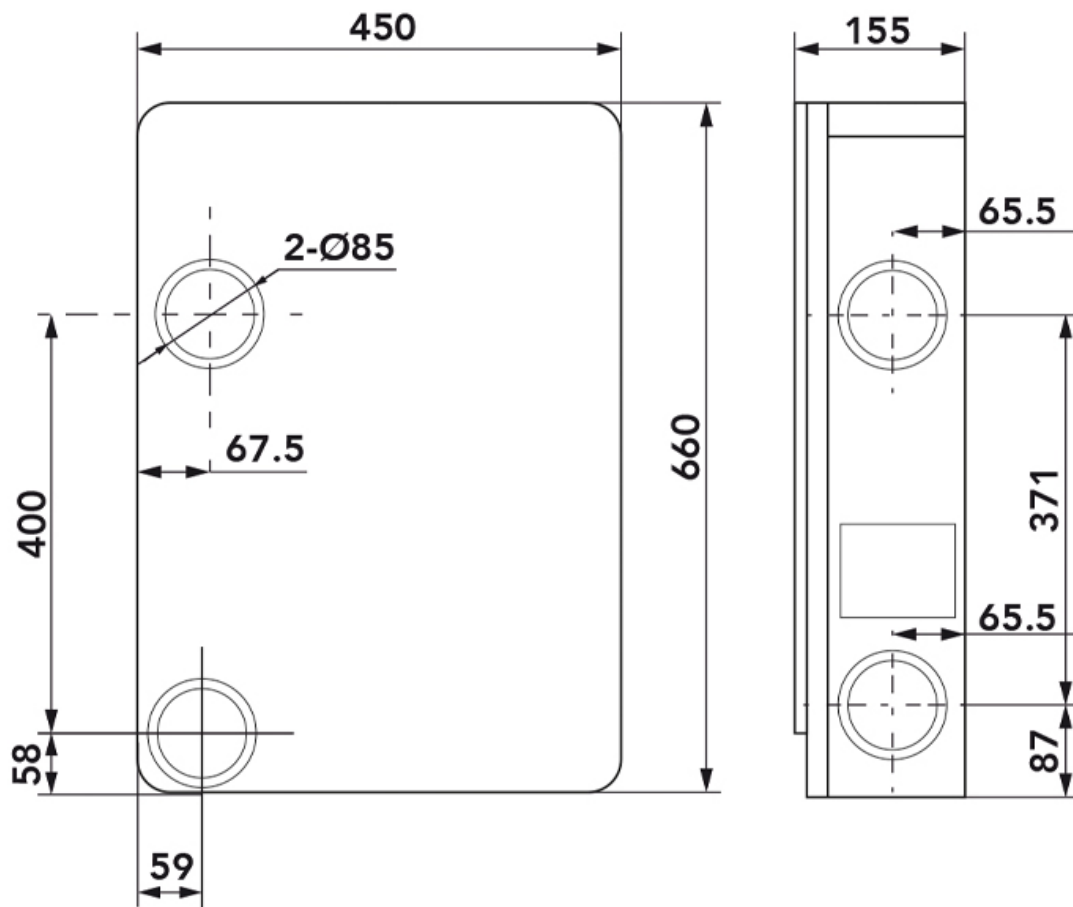
ACC300009 - ACC300003 - ACC300004
ACC300005 - ACC300006



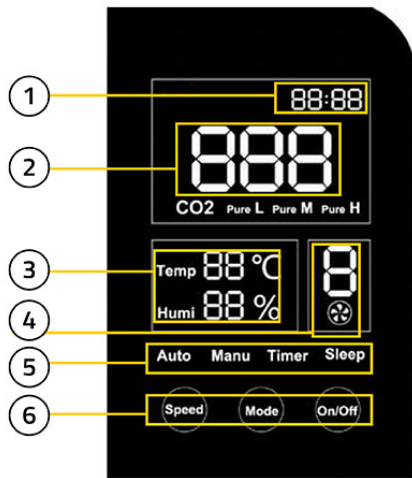
TECHNICAL SPECIFICATIONS:

- Ideal for wall mounting
- Hepa filtering efficiency 99%
- RS485 communication port with modbus protocol
- Insulating material that prevents condensation
- Indoor and outdoor air filtration
- High-efficiency heat and humidity recovery
- Low noise
- Brushless EC motors
- Air quality index (AQI) monitoring

DIMENSIONS



DISPLAY INTERFACE DESCRIPTION



- [1] Set clock and timer
- [2] CO2 value measured in the room
- [3] Temperature and humidity measured in the room
- [4] Operating speed
- [5] Operating mode
- [6] Functions:
 SPEED: speed setting
 MODE: operating mode
 ON/OFF: on/off switch

TECHNICAL DATA

DESCRIPTION	DATA
Air flow rate [m³/h]	150
Filtering efficiency	99% HEPA
Filtering mode	Low, Medium, High
Speed	8 speed settings
Power [W]	35
Temperature efficiency	82 %
Sound pressure level [dB(A)]	36
Controls	Display touch screen / Remote control
Air control display	CO2 / Temp & R.H
Operating modes	Manual / Automatic / Programmed
Room area [m²]	20 - 45
Dimensions [mm]	450 x 155 x 660
Weight [kg]	10

Detected CO2 value	OPINION ON AIR QUALITY	OPERATING SPEED
CO ₂ ≤ 500	Excellent	1
500 < CO ₂ ≤ 500	Good	3
650 < CO ₂ ≤ 800	Slightly polluted	5
CO ₂ > 800	Highly polluted	8

FUNCTIONS

Note: to ensure a sufficient supply of fresh air, the speed increases automatically after the automatic AUTO mode has been set; within 5-10 minutes the speed automatically returns to the previous setting.

During this time, the screen displays a different speed from that shown in the table above.

In manual MANU mode, press the SPEED button to set the speed.

For TIMER mode, refer to the remote control manual.

In SLEEP mode, the unit runs at speed 1; after 30 seconds the screen automatically decreases in brightness.

PURE L, PURE M, PURE H

These are used to rapidly improve indoor air quality (positive pressure ventilation); the degree of air purification improves progressively following the order of the 3 modes.

PURE L

the feed fan runs at maximum speed (8), while the exhaust fan runs at 70% of the feed fan.

PURE M

the feed fan runs at maximum speed (8), while the exhaust fan runs at 50% of the feed fan.

PURE H

the feed fan runs at maximum speed (8), while the exhaust fan runs at 30% of the feed fan.

Positive pressure ventilation is beneficial in urban areas where outside air is more polluted. Triple filters clean the intake air, while the positive pressure makes it difficult for polluted air to flow through doors or windows.

INTRODUCTION TO THE USE OF THE COMMANDS

Long press the "on/off" button to switch the machine on or off.

After start-up, press the MODE button to change the operating mode: Auto, Manu, Timer, Sleep, Pure L, Pure M, Pure H.

Note: when the machine starts up, the default setting is AUTO mode. In manual MANU mode, press the SPEED button to select the speed from 1 to 8.

In automatic AUTO mode, the device will autonomously adjust the delivery air flow rate depending on the value of CO2 detected inside the room, as shown in the following table.

LIST OF THE INCLUDED ACCESSORIES

- 1 installation panel
- 1 power cable
- 1 remote control
- 2 ducts in PVC
- 2 caps
- 2 ventilation flanges
- 1 delivery air passage grille
- 1 recovery air passage grille
- 2 rain protection devices
- 2 gaskets in rubber
- 2 back watertight sealing gaskets
- 2 lateral watertight sealing gaskets
- 5 dowel + anchor screw set
- 8 M3x12 screws
- 8 M3 nuts
- 4 self-tapping screws

ITEMS

CODE	DESCRIPTION
ACC300009	HEAT RECOVERY UNIT USABLE WITH BMS SYSTEMS "SILENCE AIR PLUS"
ACC300003	SPARE FILTER GRADO - GRADE F7 -FOR INLET OF OUTDOOR AIR - SUITABLE TO SILENCE AIR
ACC300004	SPARE FILTER HEPA + ACTIVATED CARBON FILTER - SUITABLE TO SILENCE AIR
ACC300005	SPARE FILTER FOR RETURN AIR- SUITABLE PER SILENCE AIR
ACC300006	HEAT EXCHANGER - SUITABLE TO SILENCE AIR