

DATASHEET

rev. 00 - 22/11/2023

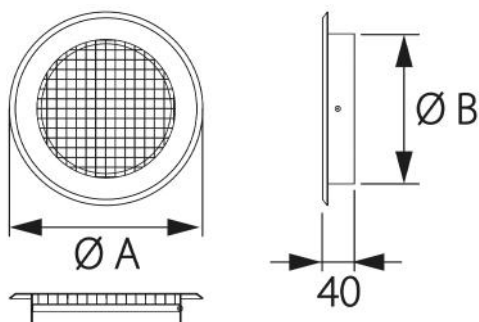
Round white intake grille

PWC200072 - PWC200073 - PWC200074



TECHNICAL SPECIFICATIONS:

- Made of white painted aluminium RAL 9016
- Operating temperature -40°C a +40°C
- Mounted using flat-head screws



DIMENSIONS

| CODE | Ø A [mm] | Ø B [mm] | FLOW RATE [m³/h] |
|-----------|----------|----------|------------------|
| PWC200072 | 150 | 95 | 47 |
| PWC200073 | 175 | 120 | 72 |
| PWC200074 | 200 | 145 | 102 |

ITEMS

| CODE | DESCRIPTION |
|-----------|---|
| PWC200072 | ROUND INTAKE GRILLE Ø95 WHITE RAL 9016 |
| PWC200073 | ROUND INTAKE GRILLE Ø120 WHITE RAL 9016 |
| PWC200074 | ROUND INTAKE GRILLE Ø145 WHITE RAL 9016 |