

DATASHEET

rev. 00 - 29/11/2022

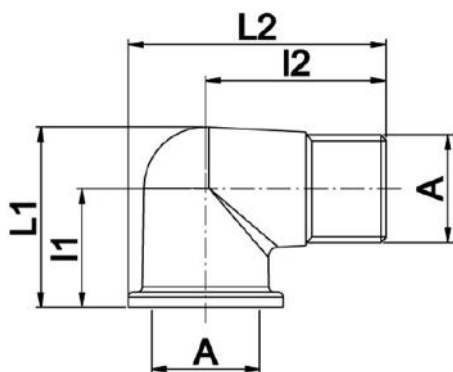
Curve M / F

26003010 - 26003020 - 26003030
26003040 - 26003050



TECHNICAL SPECIFICATIONS:

- Made of brass
- Application in hydraulics
- Gas thread
- Maximum operating temperature: +130°C



DIMENSIONS

CODE	A	l1 [mm]	l2 [mm]	L1 [mm]	L2 [mm]
26003010	1/2"	24	35,5	35	48
26003020	3/4"	28	41,5	39	57
26003030	1"	32,5	49		72
26003040	1" 1/4	51	50	75	76
26003050	1" 1/2	63,5	67,5	85,5	90

ITEMS

CODE	DESCRIPTION
26003010	
26003020	
26003030	
26003040	
26003050	