

# DATASHEET

rev. 00 - 29/11/2022

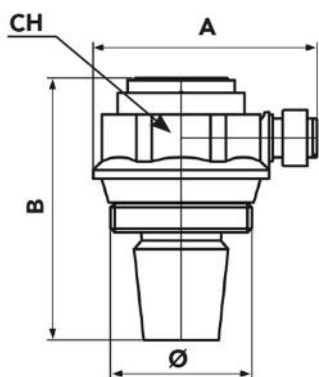
Automatic air vent valve with cap for nickel-plated brass radiator

26200140 - 26200150



## TECHNICAL SPECIFICATIONS:

- Body in CW617N brass
- With moving parts
- Float in PP synthetic material
- Max operating temperature +110°C



## DIMENSIONS

CODE	A [mm]	B [mm]	WEIGHT [gr]
26200140	50	60	115
26200150	50	60	115

## ITEMS

CODE	DESCRIPTION
26200140	AUTOMATIC RELIEF VALVE FOR BRASS RADIATOR 1" DX
26200150	AUTOMATIC RELIEF VALVE FOR BRASS RADIATOR 1" SX