

DATASHEET

rev. 00 - 29/11/2022

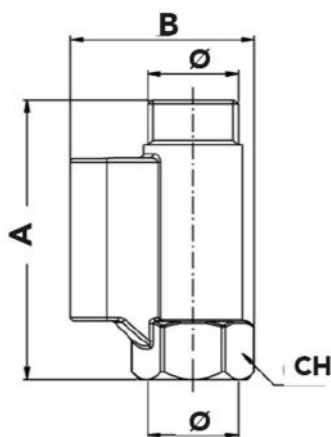
Safety and check valve for water heaters

26200070



TECHNICAL SPECIFICATIONS:

- Body in CW617N brass
- Stainless steel spring
- Synthetic rubber gasket (anti-stick)
- Cylindrical gas coupling thread ISO 228/1
- Max operating temperature +100°C
- Calibration pressure from 6 to 10 bar



DIMENSIONS

CODE	A [mm]	B [mm]	CH [mm]	Ø
26200070	65	41	25	1/2"

ITEMS

CODE	DESCRIPTION
26200070	SAFETY AND CHECK VALVE FOR WATER HEATER 1/2"