

HERCULES

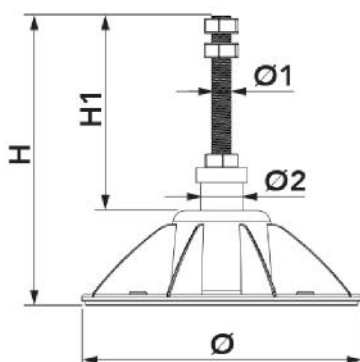
adjustable floor support

11105110 - 11105120 - 11105130
11105140



TECHNICAL SPECIFICATIONS:

- High mechanical strength
- Rear anti-vibration rubber mat 10 mm
- Built-in spirit level
- Threaded bar
- Galvanised tube \varnothing 50 mm
- Available in black
- Capacity 2000 kg
- Prepared for pipes \varnothing 50, profile 4x4x1 and pipe 40x40



DIMENSIONS

CODE	\varnothing [mm]	$\varnothing 1$ [mm]	$\varnothing 2$ [mm]	H [mm]	H1 [mm]
11105110	330	--	--	106	--
11105120	330	M24	50	210 - 300	104 - 194
11105130	330	M24	50	260 - 390	154 - 194
11105140	330	M24	50	370 - 500	264 -- 394

TECHNICAL DATA

CODE	LOAD CAPACITY [kg]
11105110	2000
11105120	2000
11105130	2000
11105140	2000

ITEMS

CODE	DESCRIPTION
11105110	"HERCULES" 100 FOOT MOUNT
11105120	ADJUSTABLE "HERCULES" 150-300 FOOT MOUNT
11105130	ADJUSTABLE "HERCULES" 150-400 FOOT MOUNT
11105140	ADJUSTABLE "HERCULES" 150-500 FOOT MOUNT