

DATASHEET

rev. 00 - 20/09/2022

MADE IN ITALY

INFINITY

floor stand with BLUE RIVER drain pan and adjustable floor mount "GENIUS 1000R"

SCD500012 - SCD500013 - SCD500016
SCD500017 - SCD500020 - SCD500021

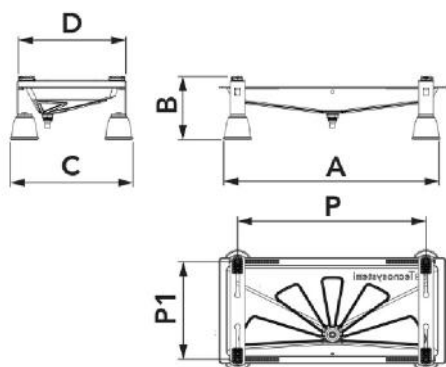


TECHNICAL SPECIFICATIONS:

- Electro-galvanised sheet metal feet
- Polyester exterior feet painted in ivory RAL 9002
- "Blue River" basin in ivory ABS PMMA plastic
- Coupling for condensate drain pipe \varnothing 16
- Includes "No- Shock" 2 Hard + 2 Soft vibration-damping kit
- Genius 1000R adjustable feet with M10 screw fastening
- Foot with adjustment ring nut (height from 100 to 140 mm)
- Non-slip knurling adjustment of foot

ELECTRICAL HEATING CABLE SPECIFICATIONS:

- Heating cable diameter 6 mm
- Power supply voltage 230 V
- Resistance tolerances -5% / +10%
- Activation of element at +3°C
- Built-in thermal sensor



DIMENSIONS

CODE	A [mm]	B [mm]	C [mm]	D [mm]	P [mm]	P1 [mm]
SCD500012	850	230 ÷ 260	410	460	800 - 400	370 - 150
SCD500013	1050	230 ÷ 260	410	460	1000 - 400	370 - 150
SCD500016	850	230 ÷ 260	410	460	800 - 400	370 - 150
SCD500017	1050	230 ÷ 260	410	460	1000 - 400	370 - 150
SCD500020	850	230 ÷ 260	410	460	800 - 400	370 - 150
SCD500021	1050	230 ÷ 260	410	460	1000 - 400	370 - 150

TECHNICAL DATA

CODE	LOAD CAPACITY [kg]
SCD500012	150
SCD500013	150
SCD500016	150
SCD500017	150
SCD500020	150
SCD500021	150

- Heating cable diameter 6 mm
- Power supply voltage 230 V
- Resistance tolerances -5% / +10%
- Activation of element at +3 °C
- Built-in thermal sensor

MODELS AVAILABLE:

WITH HEATING CABLE 3 m:

- Includes 15 W/m 3 m heating cable
- Coupling for condensate drain pipe Ø 16

WITH HEATING CABLE 3 + 3 m

- Includes 15 W/m 3 m + 3 m (6 m total) heating cable
- Coupling for condensate drain pipe Ø 20
- Equipped with a condensate drain pipe securing clamp
- With 3 m insulated condensate drain pipe

ITEMS

CODE	DESCRIPTION
SCD500012	FLOOR STAND "INFINITY" W/ SMALL DRAIN PAN "BLUE RIVER + ADJUSTABLE FEET "GENIUS 1000"
SCD500013	FLOOR STAND "INFINITY" W/ LARGE DRAIN PAN "BLUE RIVER + ADJUSTABLE FEET "GENIUS 1000"
SCD500016	FLOOR STAND "INFINITY" W/ SMALL DRAIN PAN "BLUE RIVER + 3 MT CABLE + ADJUSTABLE FEET "GENIUS 1000"
SCD500017	FLOOR STAND "INFINITY" W/ LARGE DRAIN PAN "BLUE RIVER + 3 MT CABLE + ADJUSTABLE FEET "GENIUS 1000"
SCD500020	FLOOR STAND "INFINITY" W/ SMALL DRAIN PAN "BLUE RIVER + 6 MT CABLE + ADJUSTABLE FEET "GENIUS 1000"
SCD500021	FLOOR STAND "INFINITY" W/ LARGE DRAIN PAN "BLUE RIVER + 6 MT CABLE + ADJUSTABLE FEET "GENIUS 1000"