

# DATASHEET

rev. 00 - 13/11/2023

MADE IN ITALY

## INFINITY

INFINITY floor support with BLUE RIVER drain pan and GENIUS 1000R adjustable foot

SCD500012 - SCD500013 - SCD500294  
SCD500295 - SCD500298 - SCD500299

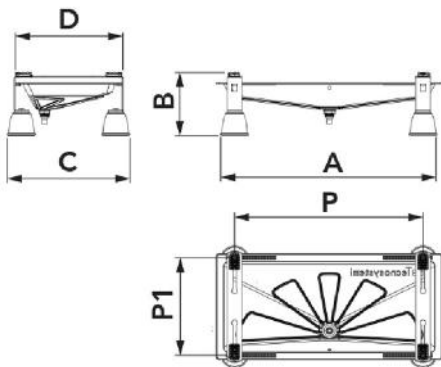


### TECHNICAL SPECIFICATIONS:

- Electro-galvanised sheet metal feet
- Polyester exterior feet painted in ivory RAL 9002
- "Blue River" basin in ivory ABS PMMA plastic
- Coupling for condensate drain pipe  $\varnothing$  16
- Includes "No- Shock" 2 Hard + 2 Soft vibration-damping kit
- Genius 1000R adjustable feet with M10 screw fastening
- Foot with adjustment ring nut (height from 100 to 140 mm)
- Non-slip knurling adjustment of foot

### ELECTRICAL HEATING CABLE SPECIFICATIONS:

- Heating cable diameter 6 mm
- Power supply voltage 230 V
- Resistance tolerances -5% / +10%
- Activation of element at +3°C
- Built-in thermal sensor



## DIMENSIONS

CODE	A [mm]	B [mm]	C [mm]	D [mm]	P [mm]	P1 [mm]
SCD500012	850	230 ÷ 260	410	460	800 - 400	370 - 150
SCD500013	1050	230 ÷ 260	410	460	1000 - 400	370 - 150
SCD500294	850	230 ÷ 260	410	460	800 - 400	370 - 150
SCD500295	1050	230 ÷ 260	410	460	1000 - 400	370 - 150
SCD500298	850	230 ÷ 260	410	460	800 - 400	370 - 150
SCD500299	1050	230 ÷ 260	410	460	1000 - 400	370 - 150

## TECHNICAL DATA

CODE	LOAD CAPACITY [kg]
SCD500012	150
SCD500013	150
SCD500294	150
SCD500295	150
SCD500298	150
SCD500299	150

- Heating cable diameter 6 mm
- Power supply voltage 230 V
- Resistance tolerances -5% / +10%
- Activation of element at +3 °C
- Built-in thermal sensor

## MODELS AVAILABLE:

WITH HEATING CABLE 3 m:

- Includes 15 W/m 3 m heating cable
- Coupling for condensate drain pipe Ø 16

WITH HEATING CABLE 3 + 3 m

- Includes 15 W/m 3 m + 3 m (6 m total) heating cable
- Coupling for condensate drain pipe Ø 20
- Equipped with a condensate drain pipe securing clamp
- With 3 m insulated condensate drain pipe

## ITEMS

CODE	DESCRIPTION
SCD500012	FLOOR STAND "INFINITY" W/ SMALL DRAIN PAN "BLUE RIVER + ADJUSTABLE FEET "GENIUS 1000"
SCD500013	FLOOR STAND "INFINITY" W/ LARGE DRAIN PAN "BLUE RIVER + ADJUSTABLE FEET "GENIUS 1000"
SCD500294	FLOOR STAND "INFINITY" W/ SMALL DRAIN PAN "BLUE RIVER + 3 MT CABLE + ADJUSTABLE FEET "GENIUS 1000"
SCD500295	FLOOR STAND "INFINITY" W/ LARGE DRAIN PAN "BLUE RIVER + 3 MT CABLE + ADJUSTABLE FEET "GENIUS 1000"
SCD500298	FLOOR STAND "INFINITY" W/ SMALL DRAIN PAN "BLUE RIVER + 6 MT CABLE + ADJUSTABLE FEET "GENIUS 1000"
SCD500299	FLOOR STAND "INFINITY" W/ LARGE DRAIN PAN "BLUE RIVER + 6 MT CABLE + ADJUSTABLE FEET "GENIUS 1000"