

DATASHEET

rev. 04 - 28/08/2023

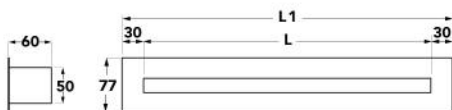
Linear diffuser with 1 slot shutter in
anodised aluminium - white painted
aluminium RAL 9016

PWC300007 - PWC300008 - PWC300009
PWC300010 - PWC300011 - PWC300012
PWC300013 - PWC300014 - PWC300015
PWC300016



TECHNICAL SPECIFICATIONS:

- Made of anodised or white painted aluminium RAL 9016
- With 1 slot and adjustable deflector
- Built-in calibration damper
- Installation height 2.5 - 3.1 m
- Fastening by means of front screws with internal mobile bracket
- Impiego: a soffitto e a parete, in mandata e ripresa.



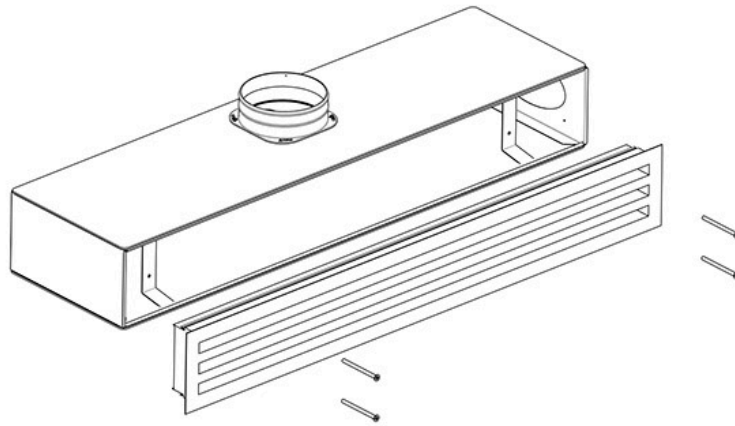
DIMENSIONS

CODE	L [mm]	L1 [mm]	COLOUR
PWC300007	600	660	WHITE
PWC300008	600	660	ALUMINIUM
PWC300009	800	860	WHITE
PWC300010	800	860	ALUMINIUM
PWC300011	1000	1060	WHITE
PWC300012	1000	1060	ALUMINIUM
PWC300013	1500	1560	WHITE
PWC300014	1500	1560	ALUMINIUM
PWC300015	2000	2060	WHITE
PWC300016	2000	2060	ALUMINIUM

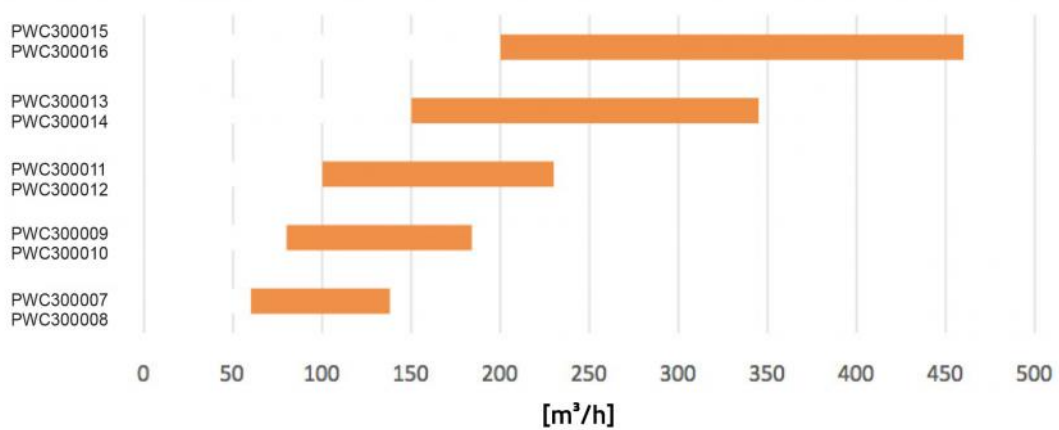
TECHNICAL DATA

CODE	Ak [m²]	Q [m³/h] MIN	Q [m³/h] MAX	LwA [dB(A)] MIN	LwA [dB(A)] MAX	X(0.25) - Y(0.25) MIN [m]	X(0.25) - Y(0.25) MAX [m]	Dpt [Pa] MIN	Dpt [Pa] MAX
PWC300007	0,00479	60	138	32	46	3,1	6,9	10	50
PWC300008	0,00479	60	138	32	46	3,1	6,9	10	50
PWC300009	0,00719	80	184	32	46	3,1	6,9	10	50
PWC300010	0,00719	80	184	32	46	3,1	6,9	10	50
PWC300011	0,00959	100	230	32	46	3,1	6,9	10	50
PWC300012	0,00959	100	230	32	46	3,1	6,9	10	50
PWC300013	0,01559	150	345	32	46	3,1	6,9	10	50
PWC300014	0,01559	150	345	32	46	3,1	6,9	10	50
PWC300015	0,02159	200	460	32	46	3,1	6,9	10	50
PWC300016	0,02159	200	460	32	46	3,1	6,9	10	50

EXAMPLE OF INSTALLATION:



SHORTCUT DIAGRAM



ITEMS

CODE	DESCRIPTION
PWC300007	1 SLOT LINEAR DIFFUSER WITH DAMPER IN PAINTED ALUMINIUM L.600
PWC300008	1 SLOT LINEAR DIFFUSER WITH DAMPER IN ANODISED ALUMINIUM L.600
PWC300009	1 SLOT LINEAR DIFFUSER WITH DAMPER IN PAINTED ALUMINIUM L.800
PWC300010	1 SLOT LINEAR DIFFUSER WITH DAMPER IN ANODISED ALUMINIUM L.800
PWC300011	1 SLOT LINEAR DIFFUSER WITH DAMPER IN PAINTED ALUMINIUM L.1000
PWC300012	1 SLOT LINEAR DIFFUSER WITH DAMPER IN ANODISED ALUMINIUM L.1000
PWC300013	1 SLOT LINEAR DIFFUSER WITH DAMPER IN PAINTED ALUMINIUM L.1500
PWC300014	1 SLOT LINEAR DIFFUSER WITH DAMPER IN ANODISED ALUMINIUM L.1500
PWC300015	1 SLOT LINEAR DIFFUSER WITH DAMPER IN PAINTED ALUMINIUM L.2000
PWC300016	1 SLOT LINEAR DIFFUSER WITH DAMPER IN ANODISED ALUMINIUM L.2000