

Kit plenum polystyrene EOLO, EOLO MINI UNIVERSAL with manual adjustment damper

PWD401715 - PWD401716 - PWD401717
PWD401718 - PWD401719 - PWD401720



DESCRIPTION

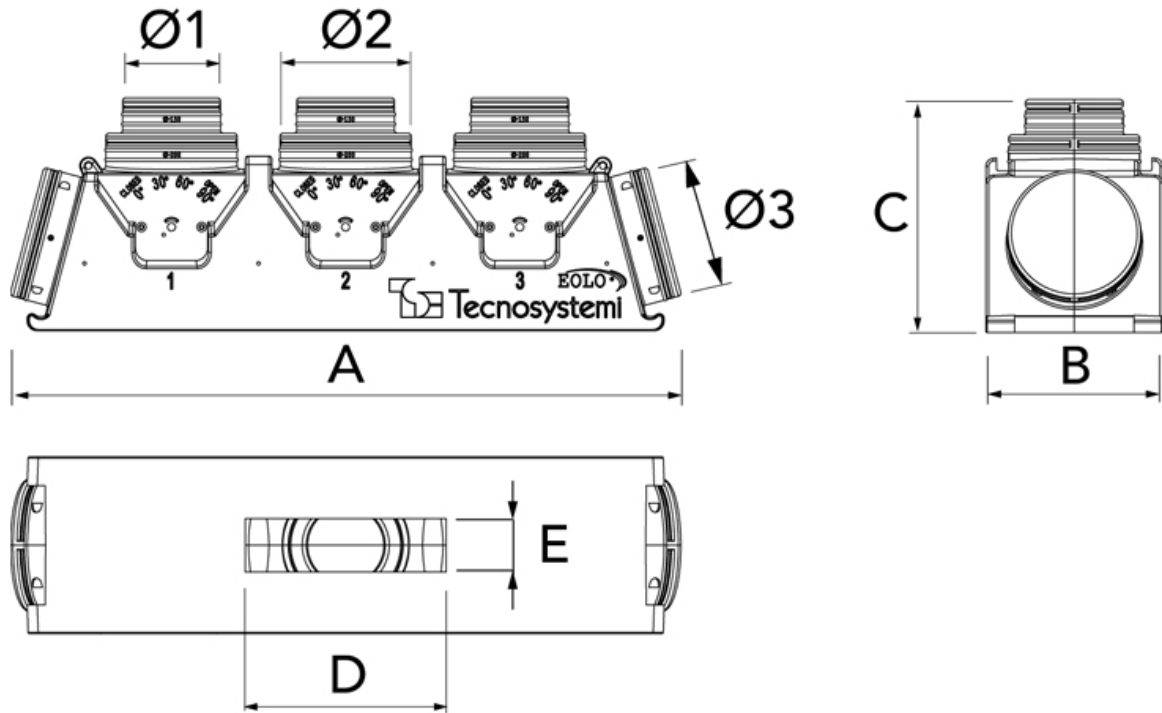
MINI EOLO: Model of polystyrene expanded sintered plenum with small dimensions and reduced dimensions. The realization of the plenum with anterior collars 150 / 125 has in fact greatly reduced its size.

EOLO: Modello di plenum in polistirene espanso sinterizzato per collarini \varnothing 200 / 150.

TECHNICAL SPECIFICATIONS:

- Made of sintered expanded polystyrene
- With internal damper with external manual adjustment
- Prepared for future motorization (Galaxy catalogue systems)
- Thermal conductivity: 0.030 / 0.033 W/mK with respect to the EN 12667 / EN 12939 standard
- Resistance to vapour 40 / 70 μ in relation to EN 12086
- Reaction to fire class E according to EN- ISO - 11925 - 2
- Operating temperature: - 30°C / + 90°C
- Made of graphite-infused EPS material
- Water absorption % volume \leq 5 in relation to EN 12087
- Reaction to fire class and according to EN 13501-1:2009
- Thermal performance thickness 30 mm 0.95 m²K/W
- Made of graphite-infused EPS material
- Collars integrated into plenum
- Total depth including collar 350 mm
- Machine fastening flange included
- Eolo mini: 125/150 mm Front Collars - Side Collars from 200 mm
- Eolo: 150/200 mm Front Collars - Side Collars from 200 mm

DIMENSIONS



CODE	DIMENSION A [mm]	DIMENSION B [mm]	DIMENSION C [mm]	DIMENSION D [mm]	DIMENSION E [mm]	N° Ø 1 [mm]	N° Ø 2 [mm]	N° Ø 3 [mm]	
PWD401715	818	217	346	up to 600	up to 185	No.3 Ø 125	No.3 Ø 150	N°2 Ø 200	
PWD401716	1008	217	346	up to 795	up to 185	No.4 Ø 125	No.4 Ø 150	N°2 Ø 200	
PWD401717	741	244	348	up to 550	up to 215	No. 2 Ø 150	N°2 Ø 200		
PWD401718	1000	264	348	up to 800	up to 215	No.3 Ø 150	No.3 Ø 200	N°2 Ø 200	
PWD401719	1261	284	348	up to 1060	up to 235	No.4 Ø 150	No.4 Ø 200	N°2 Ø 200	
PWD401720	1520	304	348	up to 1300	up to 245	N°5 Ø 150	No.5 Ø 200	N°2 Ø 200	

ITEMS

CODE	DESCRIPTION
PWD401715	POLYSTYRENE PLENUM KIT EOLO MINI MOD.AM3 UNIVERSAL WITH MANUAL DAMPER
PWD401716	POLYSTYRENE PLENUM KIT EOLO MINI MOD.BM4 UNIVERSAL WITH MANUAL DAMPER
PWD401717	EOLO POLYSTYRENE PLENUM KIT MOD.E2 UNIVERSAL WITH MANUAL DAMPER
PWD401718	EOLO POLYSTYRENE PLENUM KIT MOD.A3 UNIVERSAL WITH MANUAL DAMPER
PWD401719	EOLO POLYSTYRENE PLENUM KIT MOD.B4 UNIVERSAL WITH MANUAL DAMPER
PWD401720	EOLO POLYSTYRENE PLENUM KIT MOD.C5 UNIVERSAL WITH MANUAL DAMPER