

DATASHEET

rev. 01 - 28/10/2023

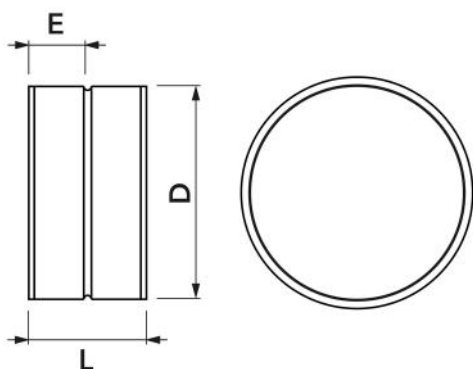
Female sleeve

31500250 - 31500260 - 31500270
31500280 - 31500290 - 31500300
31500302 - PWC500058 - 31500304
31500306



TECHNICAL SPECIFICATIONS:

- Made of galvanized steel



DIMENSIONS

CODE	D [mm]	E [mm]	L [mm]	THICKNESS [mm]	WEIGHT [kg]
31500250	80	40	86	0,5	0,13
31500260	100	40	86	0,5	0,16
31500270	125	40	86	0,5	0,20
31500280	160	40	86	0,5	0,26
31500290	200	40	86	0,5	0,32
31500300	250	40	86	0,5	0,41
31500302	300	40	86	0,5	0,49
PWC500058	315	40	86	0,5	0,51
31500304	355	40	86	0,5	0,58
31500306	400	40	86	0,5	0,65

ITEMS

CODE	DESCRIPTION
31500250	FEMALE CONNECTING SLEEVE Ø 80
31500260	FEMALE CONNECTING SLEEVE Ø 100
31500270	FEMALE CONNECTING SLEEVE Ø 125
31500280	FEMALE CONNECTING SLEEVE Ø 160
31500290	FEMALE CONNECTING SLEEVE Ø 200
31500300	FEMALE CONNECTING SLEEVE Ø 250
31500302	FEMALE CONNECTING SLEEVE Ø 300
PWC500058	FEMALE COULING Ø315
31500304	FEMALE CONNECTING SLEEVE Ø 355
31500306	FEMALE CONNECTING SLEEVE Ø 400