

DATASHEET

rev. 01 - 28/10/2023

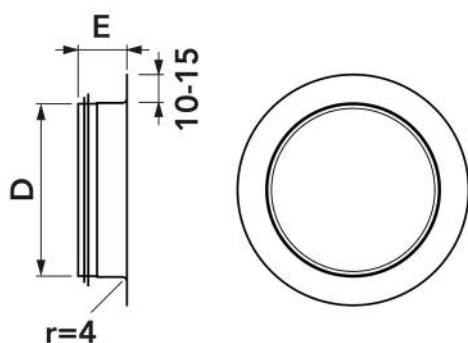
Male labelled sleeve

31500310 - 31500320 - 31500330
31500340 - 31500350 - 31500360
31500362 - PWC500041 - 31500364
31500366



TECHNICAL SPECIFICATIONS:

- Made of galvanized steel
- With double lip EPDM gasket



DIMENSIONS

CODE	D [mm]	E [mm]	WEIGHT [kg]
31500310	80	55	0,1
31500320	100	55	0,1
31500330	120	40	0,1
31500340	155	40	0,1
31500350	200	40	0,2
31500360	250	60	0,3
31500362	300	35	0,3
PWC500041	315	60	0,3
31500364	355	60	0,4
31500366	400	60	0,6

ITEMS

CODE	DESCRIPTION
31500310	MALE SLEEVE WITH GASKET Ø 80
31500320	MALE SLEEVE WITH GASKET Ø 100
31500330	MALE SLEEVE WITH GASKET Ø 125
31500340	MALE SLEEVE WITH GASKET Ø 160
31500350	MALE SLEEVE WITH GASKET Ø 200
31500360	MALE SLEEVE WITH GASKET Ø 250
31500362	MALE SLEEVE WITH GASKET Ø 300
PWC500041	
31500364	MALE SLEEVE WITH GASKET Ø 355
31500366	MALE SLEEVE WITH GASKET Ø 400