

DATASHEET

rev. 01 - 28/10/2023

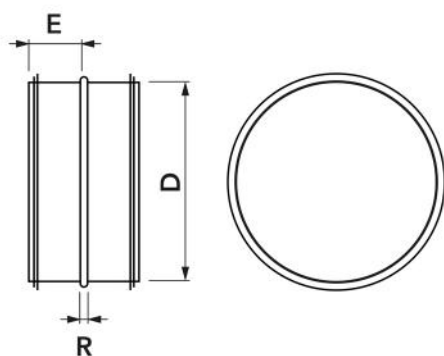
Male sleeve

31500190 - 31500200 - 31500210
31500220 - 31500230 - 31500240
31500242 - PWC500057 - 31500244
31500246



TECHNICAL SPECIFICATIONS:

- Made of galvanized steel
- With double lip EPDM gasket



DIMENSIONS

CODE	D [mm]	E [mm]	R [mm]	WEIGHT [kg]
31500190	80	40	10	0,10
31500200	100	40	10	0,12
31500210	125	40	10	0,15
31500220	160	40	10	0,19
31500230	200	40	10	0,24
31500240	250	45	10	0,30
31500242	300	40	10	0,36
PWC500057	315	40	8	0,38
31500244	355	55	8	0,58
31500246	400	40	10	0,65

ITEMS

CODE	DESCRIPTION
31500190	MALE CONNECTING SLEEVE Ø 80
31500200	MALE CONNECTING SLEEVE Ø 100
31500210	MALE CONNECTING SLEEVE Ø 125
31500220	MALE CONNECTING SLEEVE Ø 160
31500230	MALE CONNECTING SLEEVE Ø 200
31500240	MALE CONNECTING SLEEVE Ø 250
31500242	MALE CONNECTING SLEEVE Ø 300
PWC500057	MALE COUPLING Ø315
31500244	MALE CONNECTING SLEEVE Ø 355
31500246	MALE CONNECTING SLEEVE Ø 400