

# DATASHEET

rev. 01 - 28/10/2023

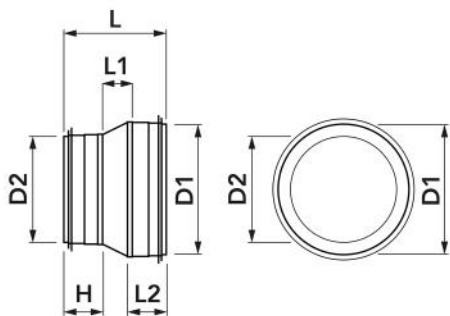
## Reduction male sleeve

31500490 - 31500500 - 31500510  
31500520 - 31500530 - 31500540  
31500550 - 31500552 - 31500560  
31500562 - PWC500044 - 31500564  
31500566



### TECHNICAL SPECIFICATIONS:

- Made of galvanized steel
- With double lip EPDM gasket



## DIMENSIONS

CODE	D1 [mm]	D2 [mm]	L [mm]	H [mm]	L1 [mm]	L2 [mm]	WEIGHT [kg]
31500490	100	80	110	40	18	55	0,20
31500500	125	80	130	40	45	35	0,20
31500510	125	100	92	35	22	35	0,20
31500520	160	100	120	40	45		0,30
31500530	160	125	95	35	26	35	0,20
31500540	200	100	135	40	58	35	0,40
31500550	200	120	125	40	45	40	0,30
31500552	200	160	100	40	26	35	0,30
31500560	250	200	110	40	31	35	0,60
31500562	300	250	132	45	30	55	0,60
PWC500044	315	300	195	65		60	0,70
31500564	355	300	190	60	95	35	0,91
31500566	400	355	195	60	80	55	1,20

## ITEMS

CODE	DESCRIPTION
31500490	MALE REDUCTION CONNECTION SLEEVE Ø 100-80
31500500	MALE REDUCTION CONNECTION SLEEVE Ø 125-80
31500510	MALE REDUCTION CONNECTION SLEEVE Ø 125-100
31500520	MALE REDUCTION CONNECTION SLEEVE Ø 160-100
31500530	MALE REDUCTION CONNECTION SLEEVE Ø 160-125
31500540	MALE REDUCTION CONNECTION SLEEVE Ø 200-100
31500550	MALE REDUCTION CONNECTION SLEEVE Ø 200-125
31500552	MALE REDUCTION CONNECTION SLEEVE Ø 200-160
31500560	MALE REDUCTION CONNECTION SLEEVE Ø 250-200
31500562	MALE REDUCTION CONNECTION SLEEVE Ø 300-250
PWC500044	
31500564	MALE REDUCTION CONNECTION SLEEVE Ø 355-300
31500566	MALE REDUCTION CONNECTION SLEEVE Ø 400-355