

DATASHEET

rev. 00 - 24/10/2022

SIRIO 2.0 PACK POINT

GAD600003 - GAD600004 - GAD600005
GAD600006 - GAD600007 - GAD600008
GAD600009 - GAD600010 - GAD600011
GAD600012 - GAD600013 - GAD600014
GAD600015 - GAD600016 - GAD600017
GAD600018 - GAD600019 - GAD600020
GAD600021 - GAD600022 - GAD600023
GAD600024 - GAD600025 - GAD600026
GAD600027 - GAD600028 - GAD600029
GAD600030 - GAD600031 - GAD600032
GAD600033 - GAD600034



DESCRIPTION

The "Sirio 2.0 Pack Point" dampers applied to plenums for ducted units available in the Tecnosystemi catalogue allow management of the air flow and temperature in the rooms where an air conditioning system is installed.

The clean contact on each "Sirio 2.0 Pack Point" allows the ducts to be switched on and off, without the need to use the POLARIS 4X or 5X control units.

The "Sirio 2.0 Pack Points" include as standard the built-in power supply for each damper and the mechanical bypass to be installed to the right or left of the plenum to avoid possible overpressure situations.

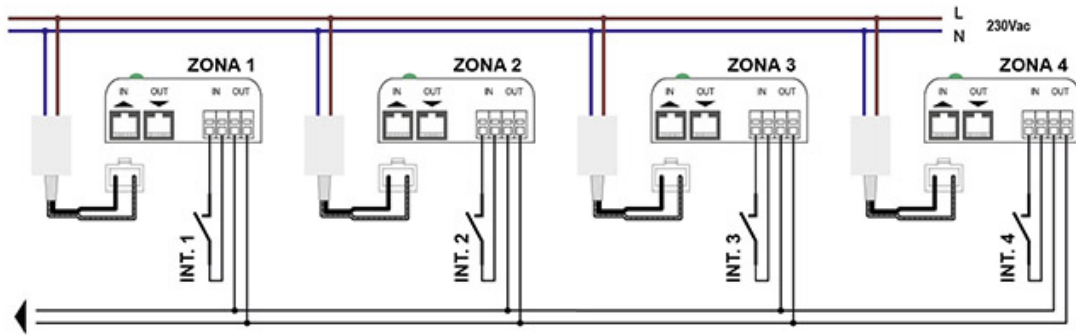
The "Sirio 2.0 Pack Points" can be made with all types of plenums produced by Tecnosystemi: "Eolo Mini"/ "Eolo", electro-galvanised sheet metal and PAL (plenum in PAL available on request, for quotes call the toll-free number).

The delivery plenum for ducted unit is included in the price.

AVAILABLE IN VERSIONS:

- "Eolo Mini" Ø 125/150 mm 3 and 4 zones
- "Eolo" Ø 150/200 mm 2, 3, 4 and 5 zones
- Sheet metal Ø 150 mm e Ø 200 mm 2, 3, 4, 5 e 6 zones
- PAL Ø 150 mm and Ø 200 mm zones 2, 3, 4, 5 and 6 (for quotes for PAL plenum boxes call freephone).
- Overpressure bypass supplied but not installed
- Ducted unit ON/off control (check if interface use is required)
- Can be managed using any ON/OFF control for opening and closing the damper

WIRING CONNECTION DIAGRAM



CODES WITH CHRONOTHERMOSTAT NOT INCLUDED

CODE	DESCRIPTION
GAD600003	SIRIO 2.0 PACK 3 EOLO MINI
GAD600004	SIRIO 2.0 PACK 3 EOLO MINI
GAD600005	SIRIO 2.0 PACK 2 EOLO
GAD600006	SIRIO 2.0 PACK 3 EOLO
GAD600007	SIRIO 2.0 PACK 4 EOLO
GAD600008	SIRIO 2.0 PACK 5 EOLO
GAD600009	SIRIO 2.0 PACK 2 SHEET METAL Ø 150
GAD600010	SIRIO 2.0 PACK 3 SHEET METAL Ø 150
GAD600011	SIRIO 2.0 PACK 4 SHEET METAL Ø 150
GAD600012	SIRIO 2.0 PACK 5 SHEET METAL Ø 150
GAD600013	SIRIO 2.0 PACK 6 SHEET METAL Ø 150
GAD600014	SIRIO 2.0 PACK 2 SHEET METAL Ø 200
GAD600015	SIRIO 2.0 PACK 3 SHEET METAL Ø 200
GAD600016	SIRIO 2.0 PACK 4 SHEET METAL Ø 200
GAD600017	SIRIO 2.0 PACK 5 SHEET METAL Ø 200
GAD600018	SIRIO 2.0 PACK 6 SHEET METAL Ø 200

CODES WITH INCLUDED CHRONOTHERMOSTAT

CODE	DESCRIPTION
GAD600019	
GAD600020	
GAD600021	
GAD600022	
GAD600023	
GAD600024	
GAD600025	
GAD600026	
GAD600027	
GAD600028	
GAD600029	
GAD600030	
GAD600031	
GAD600032	
GAD600033	
GAD600034	