

EF15-A - EF15-AV

mini acid condensate water pump

12170050 - 12170049H - 12170045
12170051



DESCRIPTION

Ideal for collecting acidic water from boilers, the "EF-A" easy flow mini pump solves the problems that arise whenever it is necessary to replace the old boiler with a new generation condensation boiler.

Very compact and quiet, it connects directly to the boiler siphon*.

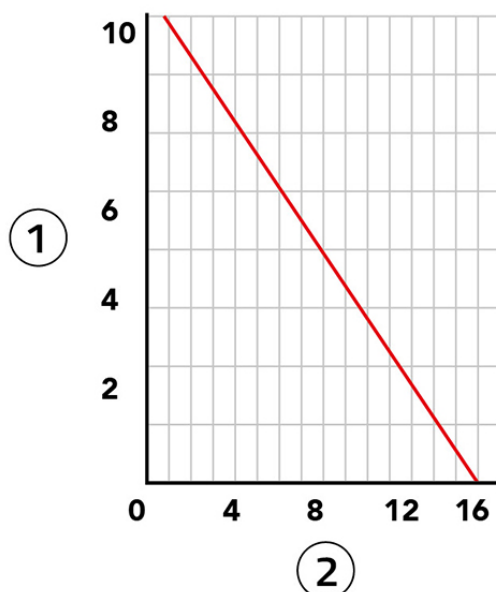
The construction characteristics adopted make the "EF15-A" - "EF15-AV" resistant to water acidity over time.

Thanks to the double 8a alarm contact on board the electronics, it is possible to interrupt the operation of the boiler.

TECHNICAL SPECIFICATIONS:

- Flow rate 15 l/h
- Intake max 2 m vertical between floating body and pump
- Float body dimensions L 87 - H 38 - D 34 mm
- Max. 10 m vertical delivery between pump and water outlet
- Power supply 230 V - 50 Hz
- Alarm contact C-NO/NC 8A
- Max noise level 29 [dB(A)]
- Tube size \varnothing 4 x 6 mm
- pH minimum 2.5
- Max operating temperature +55°C
- Power consumption 19 W
- Protection rating IP20

EF 15 LITRES

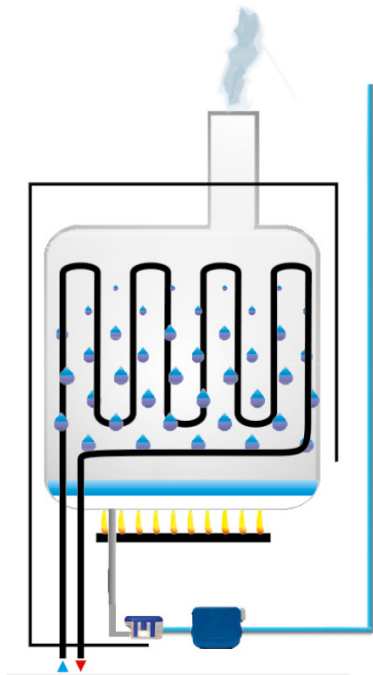


[1] Air delivery (vertical m)

[2] Flow rate (litres/hour)

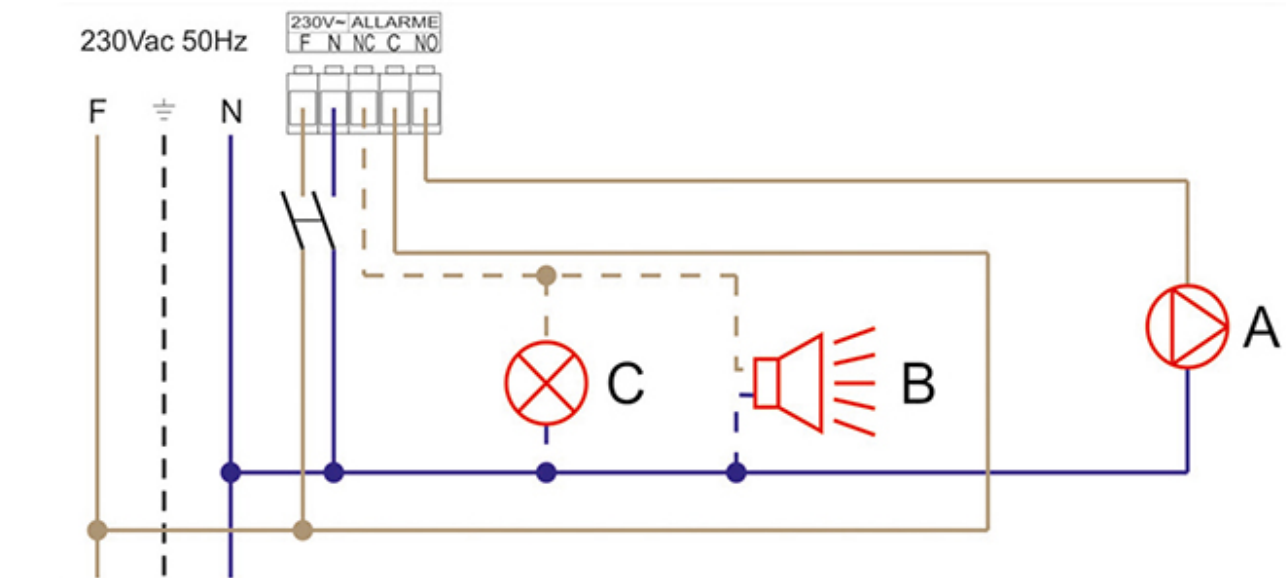
- Flow rate 15 l/h
- Max. 10 m vertical delivery
- Power consumption 19 W
- Alarm contact NO/NC 8A
- Protection rating IP20

EXAMPLE OF BOILER FAN COIL INSTALLATION



- [1] EF-A
- [2] EF- AV
- [3] Boiler
- [4] Acid condensation
- [5] Siphon
- *ATTENTION: Do not connect the mini pump to the boiler flue

WIRING ASSEMBLY DIAGRAM



- [A] Light signalings
- [B] Audible alarm

- [C] Light alarm

ITEMS

CODE	DESCRIPTION
12170050	MINI PUMP FOR ACIDIC CONDENSATE EF15-AV (W/VERTICAL CONNECTION) WITH FLOAT HOUSING
12170049H	
12170045	MINI PUMP FOR ACIDIC CONDENSATE EF15-A (W/HORIZONTAL CONNECTION)WITH FLOAT HOUSING
12170051	SPARE FLOAT HOUSING FOR MINI PUMP MODEL EF15-AV (W/VERTICAL CONNECTIONS)