

DATASHEET

rev. 00 - 22/11/2023

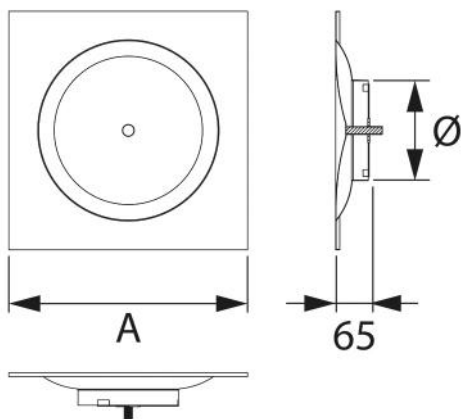
Circular diffuser on square base

PWC200080 - PWC200070 - PWC200071



TECHNICAL SPECIFICATIONS:

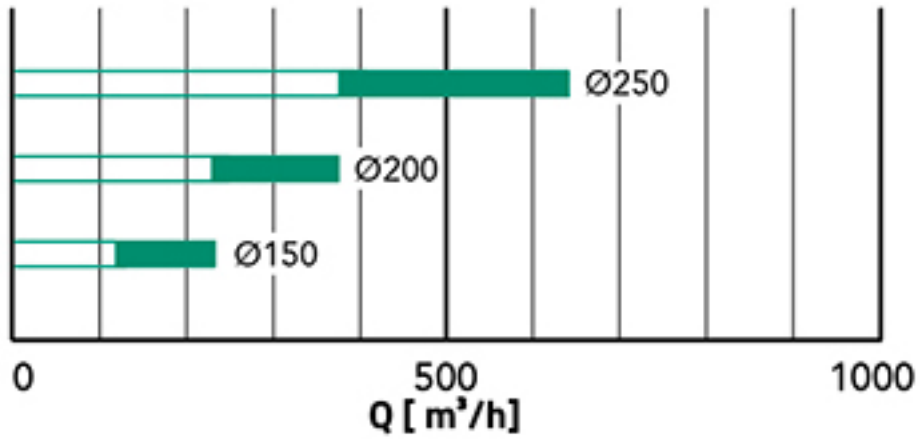
- Made of white painted aluminium RAL 9016
- High operating efficiency
- Suitable for supply and recovery



DIMENSIONS:

CODE	A [mm]	Ø [mm]
PWC200080	595 x 595	148
PWC200070	595 x 595	198
PWC200071	595 x 595	248

RAPID AIR FLOW SELECTION



ITEMS

CODE	DESCRIPTION
PWC200080	CIRCULAR DIFFUSER ON SQUARE BASE RAL 9016 - Ø150
PWC200070	CIRCULAR DIFFUSER ON SQUARE BASE RAL 9016 - Ø200
PWC200071	CIRCULAR DIFFUSER ON SQUARE BASE RAL 9016 - Ø250