

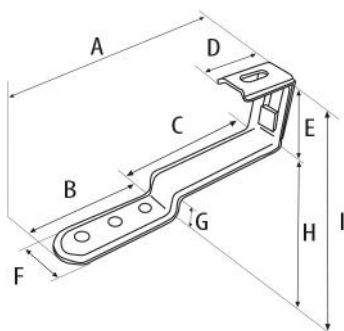
DATASHEET

rev. 00 - 00-00-0000

HSRT

3 mm thick adjustable raised support for fixing on tiled roofs

11111105 - 11111105BOX



DIMENSIONS

CODE	A [mm]	B [mm]	C [mm]	D [mm]	E [mm]	F [mm]	G [mm]	H [mm]	I [mm]
11111105	211	80	120	60	55-85	40	20	26	98-128
11111105BOX	211	80	120	60	55-85	40	20	26	98-128

ITEMS

CODE	DESCRIPTION
11111105	SUPPORT WHIT ONE REGULATION "HSRT"
11111105BOX	SUPPORT WHIT ONE REGULATION "HSRT" - BOX 10 pcs