

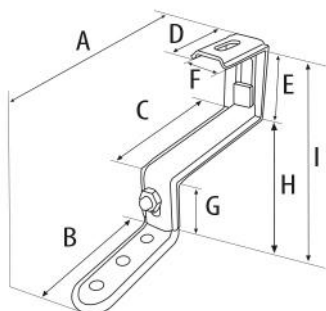
# DATASHEET

rev. 00 - 00-00-0000

## HS2DRAD

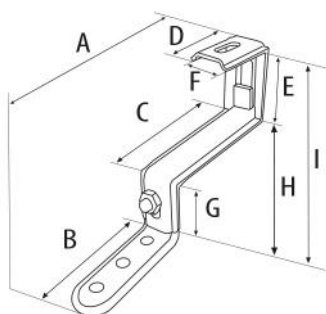
support thickness 3 mm double adjustment for tiled roofs

11111106 - 11111106BOX



### LONG VERSION

CODE	A [mm]	B [mm]	C [mm]	D [mm]	E [mm]	F [mm]	G [mm]	H [mm]	I [mm]
11111106	211	80	120	60	60-75	40	67-78	70-81	146-172



## SHORT VERSION

CODE	A [mm]	B [mm]	C [mm]	D [mm]	E [mm]	F [mm]	G [mm]	H [mm]	I [mm]
11111106	190	80	120	60	64-89	40	53-64	56-67	136-172

## ITEMS

CODE	DESCRIPTION
11111106	SUPPORT WHIT DUAL REGULATION "HS2DRAD"
11111106BOX	SUPPORT WHIT DUAL REGULATION "HS2DRAD" - BOX 10 pcs