

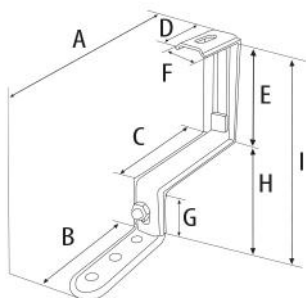
DATASHEET

rev. 00 - 00-00-0000

HS2DRBD

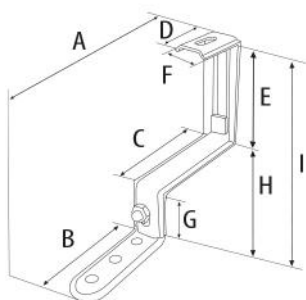
support thickness 3 mm double
adjustment for tiled roofs

11111108 - 11111108BOX



LONG VERSION

CODE	A [mm]	B [mm]	C [mm]	D [mm]	E [mm]	F [mm]	G [mm]	H [mm]	I [mm]
11111108	208	70	120	60	65-80	40	100-111	103-114	184-210



SHORT VERSION

CODE	A [mm]	B [mm]	C [mm]	D [mm]	E [mm]	F [mm]	G [mm]	H [mm]	I [mm]
11111108	208	70	120	60	97-122	40	58-69	61-72	174-210

ITEMS

CODE	DESCRIPTION
11111108	SUPPORT WHIT DUAL REGULATION "HS2DRBD"
11111108BOX	SUPPORT WHIT DUAL REGULATION "HS2DRBD" - BOX 10 pcs