

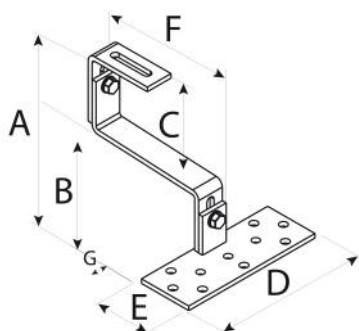
DATASHEET

rev. 00 - 00-00-0000

HSDRT

support with double adjustment for fixing on tiled roofs

11110733 - 11110733BOX



DIMENSIONS

CODE	A [mm]	B [mm]	C [mm]	D [mm]	E [mm]	F [mm]	G [mm]
11110733	225 ÷ 155	100 ÷ 65	115 ÷ 75	160	60	100	30
11110733BOX	225 ÷ 155	100 ÷ 65	115 ÷ 75	160	60	100	30

ITEMS

CODE	DESCRIPTION
11110733	SUPPORT HSDRT - INOX AI31 304
11110733BOX	SUPPORT HSDRT - INOX AI31 304 - BOX 10 pcs