

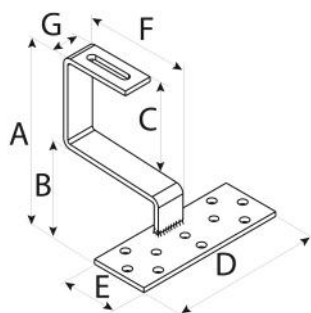
DATASHEET

rev. 00 - 00-00-0000

HSTT 205/45-145

STL 160-140R supports for fixing to tiles on roofs

11110704 - 11110704BOX - 11110704Z
11110704ZBOX



DIMENSIONS

CODE	A [mm]	B [mm]	C [mm]	D [mm]	E [mm]	F [mm]	G [mm]
11110704	205	45	145	160	60	110	30
11110704BOX	205	45	145	160	60	110	30

STAINLESS STEEL CODE

CODE	DESCRIPTION
11110704	SUPPORT FOR FIXING ON ROOFS WITH TILES HSTT 205/45-145 INOX AISI 304
11110704BOX	SUPPORT FOR FIXING ON ROOFS WITH TILES HSTT 205/45-145 INOX AISI 304 - BOX 10 pcs

GALVANISED STEEL CODE

CODE	DESCRIPTION
11110704Z	SUPPORT FOR FIXING ON ROOFS WITH TILES HSTT 205/45-145 ZINCATO
11110704ZBOX X	SUPPORT FOR FIXING ON ROOFS WITH TILES HSTT 205/45-145 GALVANIZED- BOX 10 pcs