

DATASHEET

rev. 01 - 21/03/2024

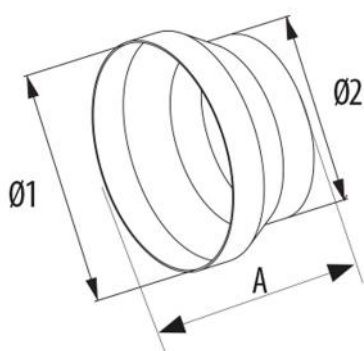
R reduction

11161391B - 11161391C - PWC500078



TECHNICAL SPECIFICATIONS:

- PVC



DIMENSIONS

CODE	Ø1 [mm]	Ø2 [mm]	A [mm]
11161391B	125	100	60
11161391C	150	125	60
PWC500078	200	150	71

ITEMS

CODE	DESCRIPTION
11161391B	REDUCER "RDZ125" 100
11161391C	REDUCER "RDZ150" 125
PWC500078	