

DATASHEET

rev. 00 - 17/09/2022

MADE IN ITALY

GIOTTO MG 120 - 160

bracket

11100082 - 11100083

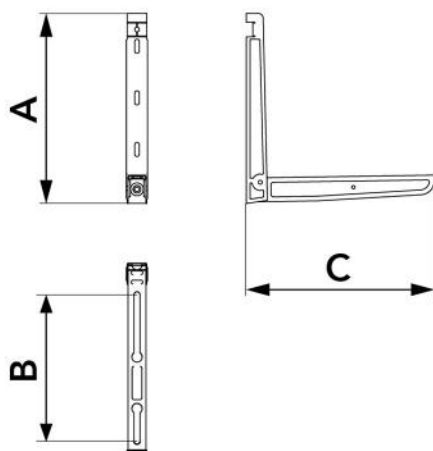


TECHNICAL SPECIFICATIONS:

- Made of electro-galvanised sheet metal
- External polyester painting RAL 9002
- Ready for condensate drain pan
- "NO-SHOCK" sliding vibration dampers supplied
- Fixing plugs
- Pre-assembled bracket

PACK COMPLETE WITH

- vibration-damping
- screws
- wall mount dowels set



DIMENSIONS

CODE	A [mm]	B [mm]	C [mm]	LOAD CAPACITY [kg]
11100082	400	150 - 310	400	120
11100083	400	180 - 380	465	160

ITEMS

CODE	DESCRIPTION
11100082	BRACKET "GIOTTO MG" - 120
11100083	BRACKET "GIOTTO MG" - 160