

MICHELANGELO - SM

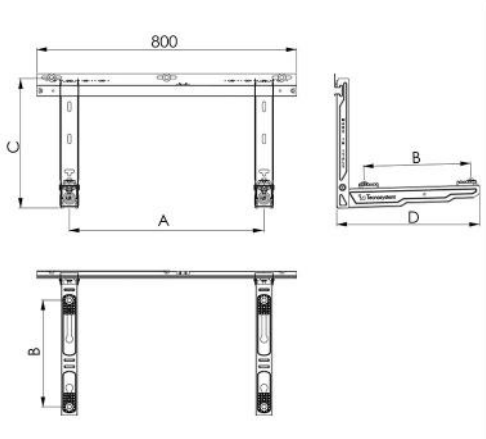
bracket with graduated bar

SCD500201 - SCD500202 - SCD500203
SCD500204 - SCD500341



TECHNICAL SPECIFICATIONS:

- Electrogalvanised sheet
- External polyester painting
- Graduated wall bracket with spirit level included
- Adjustable rear swivel feet
- Ready for condensate drain pan
- "NO-SHOCK" vibration dampers supplied
- Wall mounting fixing plugs
- Pre-assembled bracket



DIMENSIONS

| CODE | A [mm] | B [mm] | C [mm] | D [mm] | LOAD CAPACITY [kg] |
|-----------|---------|---------|--------|--------|--------------------|
| SCD500201 | 350/750 | 180/330 | 400 | 440 | 110 |
| SCD500202 | 350/750 | 230/390 | 400 | 500 | 130 |
| SCD500203 | 350/750 | 270/450 | 400 | 560 | 150 |
| SCD500204 | 350/750 | 340/540 | 400 | 650 | 150 |

Vibration damping kit for brackets Giotto, Leonardo and Michelangelo

The vibration damping kit is designed to dampen vibrations, shocks or noise generated by external air conditioning units or heat pumps.

The kit is suitable for use with the Brackets Model GIOTTO, LEONARDO and MICHELANGELO.

KIT CONTENTS:

- Vibration damper for roof bracket (3 pieces)
- O-ring OR4106 (2 pieces)

VIBRATION DAMPING TECHNICAL SPECIFICATIONS:

- Material: polyurethane
- Hardness: 85 ± 3 Shore A
- Elongation at break / dry 300%

TECHNICAL SPECIFICATIONS O-RING:

- Material: NBR
- Hardness: 70 ± 5 Shore A

ITEMS

| CODE | DESCRIPTION |
|-----------|------------------------------------|
| SCD500201 | WALL BRACKET MICHELANGELO SM 440 |
| SCD500202 | WALL BRACKET MICHELANGELO SM 500 |
| SCD500203 | WALL BRACKET MICHELANGELO SM 560 |
| SCD500204 | WALL BRACKET "MICHELANGELO" - 650L |
| SCD500341 | |