

DATASHEET

rev. 00 - 19/09/2022

MADE IN ITALY

MR

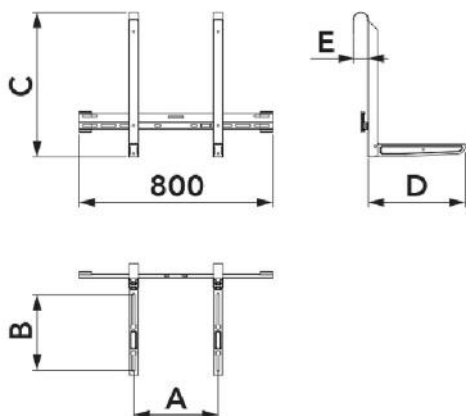
railing bracket

11100028 - 11100029



TECHNICAL SPECIFICATIONS:

- Made of electro-galvanised sheet metal
- External polyester painting RAL 9002
- Ready for condensate drain pan
- "No-Shock" sliding vibration dampers supplied
- Vibration-damping in rubber supplied



DIMENSIONS

CODE	A [mm]	B [mm]	C [mm]	D [mm]	E [mm]	LOAD CAPACITY [kg]
11100028	350 - 760	150 - 310	600	400	60	70
11100029	350 - 760	180 - 380	700	470	60	100

PACK COMPLETE WITH

- Back sliding "No-Shock" vibration dampers
- screws
- hexagon wrench for assembly
- 1 instruction booklet

ITEMS

CODE	DESCRIPTION
11100028	RAILING MR-70
11100029	MR 100 - RAILING BRACKET