

Linear retracting diffuser in ALUMINIUM with insulated damper and plenum

- cod. PWD301533 - cod. PWD301534 - cod. PWD301541
- cod. PWD301542 - cod. PWD301549 - cod. PWD301550
- cod. PWD301557 - cod. PWD301558 - cod. PWD301565
- cod. PWD301566 - cod. PWD301573 - cod. PWD301574
- cod. PWD301581 - cod. PWD301582 - cod. PWD301589
- cod. PWD301590 - cod. PWD301597 - cod. PWD301598
- cod. PWD301605 - cod. PWD301606



DESCRIPTION

Linear retracting diffuser in aluminium with insulated damper and plenum.

Available with 20 or 30 mm slot in black or white.

With a unique, original design, the plenum is made of galvanised metal sheet coated with closed-cell polyethylene.

This retracting linear diffuser combines design and function, blending perfectly into any room, with uniform air diffusion and high thermal induction.

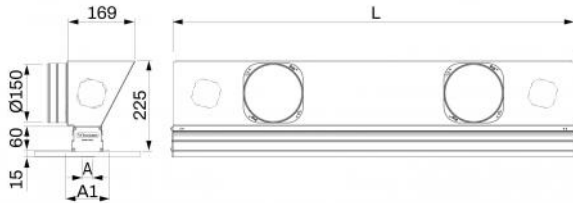
The inlet collars are included in the pack and must be assembled according to installation needs.

The plenum has other built-in installation boxes for additional ducts and VMC ducts, break as needed.

The damper is used to control the required amount of air and can be calibrated using a screwdriver.

ACCESSORIES

- False ceiling brackets, included.
- Continuity kit, can be purchased separately.



DIMENSIONS

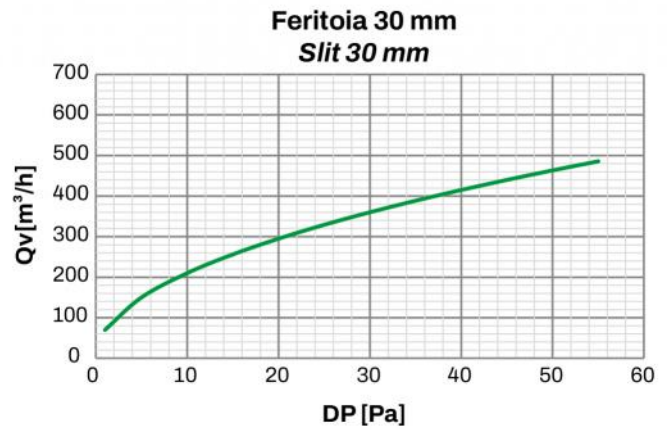
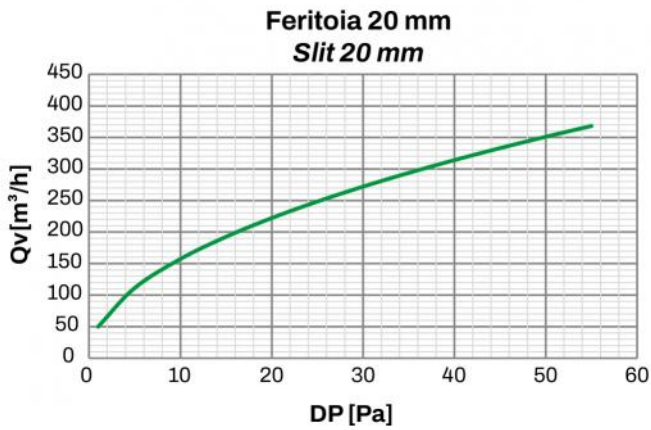
CODE	L [mm]	A [mm]	A1 [mm]	COUPLING Ø50
PWD301533	600	20	100	1
PWD301534	600	20	100	1
PWD301541	600	30	110	1
PWD301542	600	30	110	1
PWD301549	800	20	100	2
PWD301550	800	20	100	2
PWD301557	800	30	110	2
PWD301558	800	30	110	2
PWD301565	1000	20	100	2
PWD301566	1000	20	100	2
PWD301573	1000	30	110	2
PWD301574	1000	30	110	2
PWD301581	1500	20	100	3
PWD301582	1500	20	100	3
PWD301589	1500	30	110	3
PWD301590	1500	30	110	3
PWD301597	2000	20	100	4
PWD301598	2000	20	100	4
PWD301605	2000	30	110	4
PWD301606	2000	30	110	4

INFORMATION

Measures are indicated in millimetres (mm), unless otherwise specified.

The plasterboard thickness calculated for these configurations is 12.5 mm (not included in the supply).

LOAD CAPACITY AND PRESSURE DROP CURVES

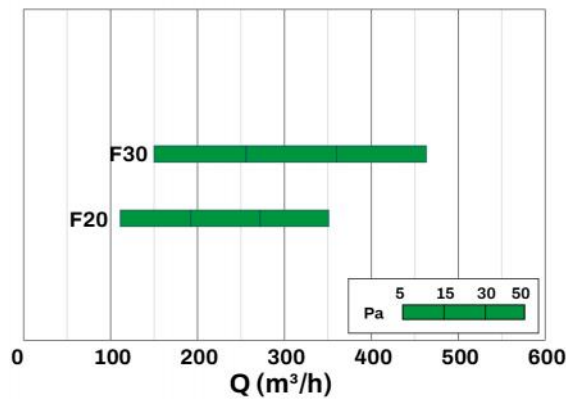


MODEL	Ak [m ²]	Qv min [m ³ /h]	Qv max [m ³ /h]	Lwa min [dB(A)]	Lwa max [dB(A)]	DP min [Pa]	DP max [Pa]
SLOT 20	0.02	155	350	32	46	10	50
SLOT 30	0.03	210	465	33	47	10	50

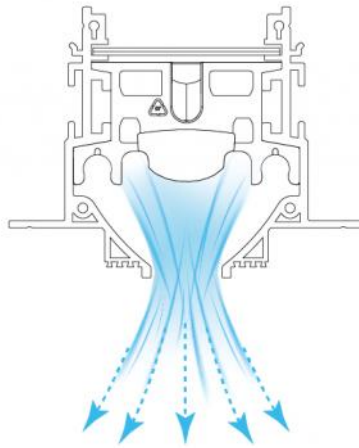
INFORMATION

The table data refer to 1000 mm long linear retracting diffusers

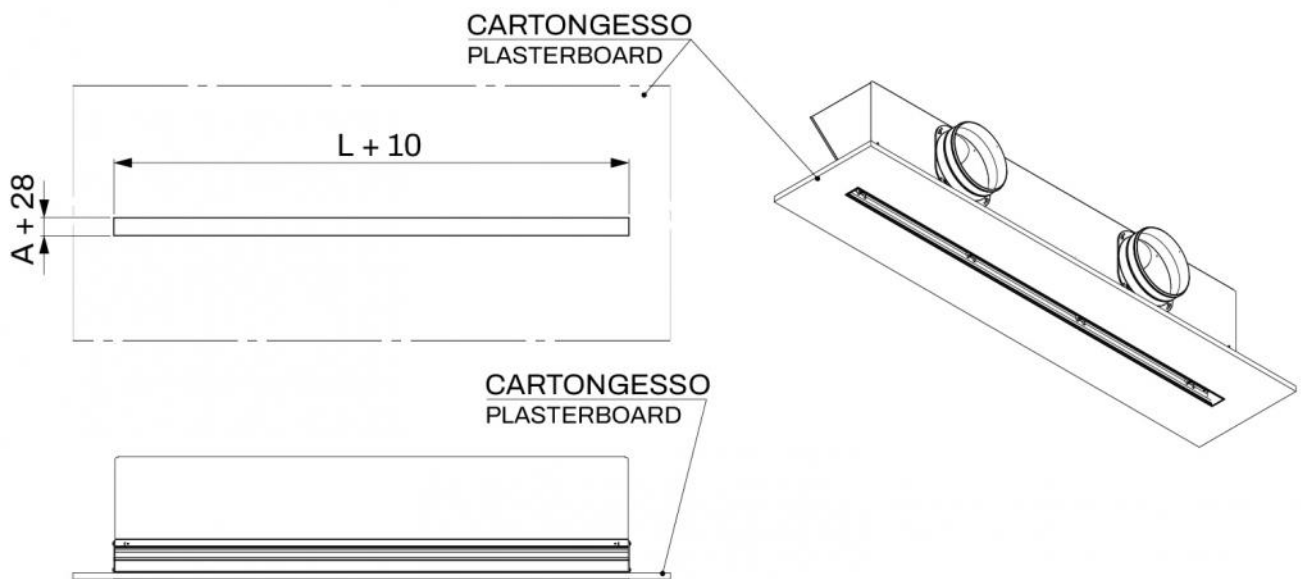
SHORTCUT DIAGRAM



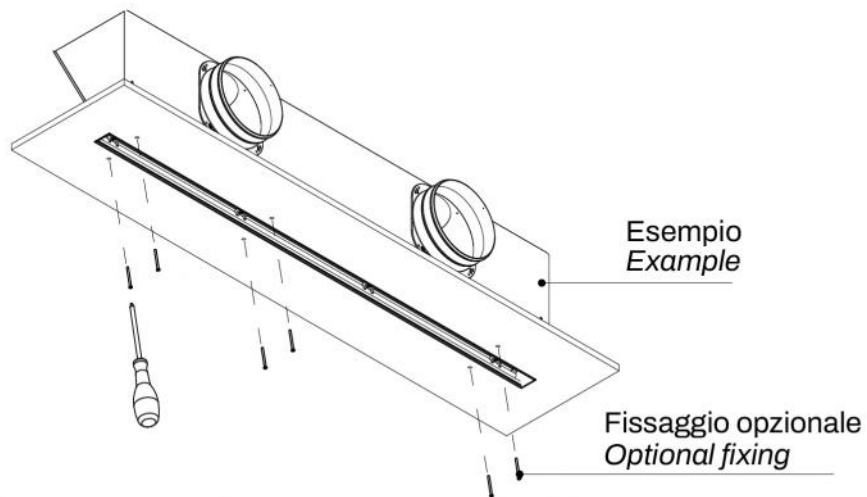
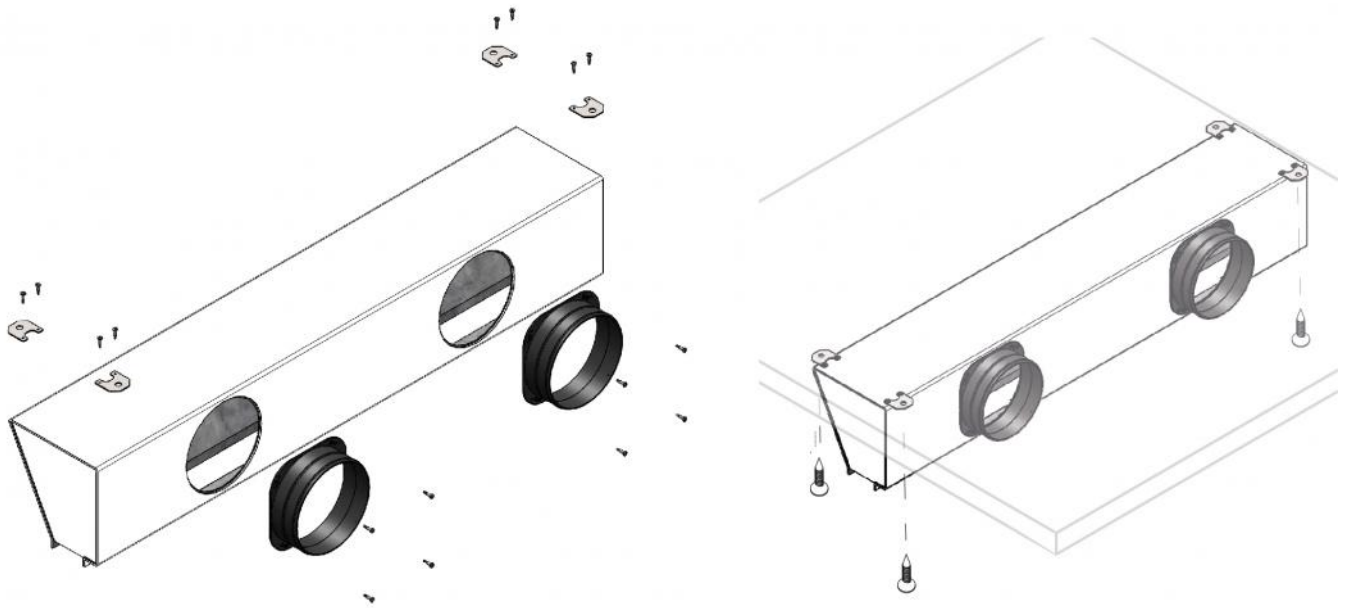
EXAMPLE OF VERTICAL FLOW



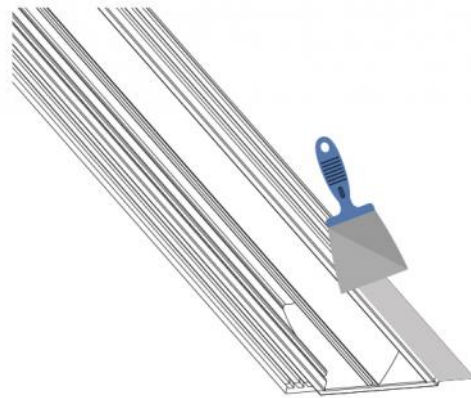
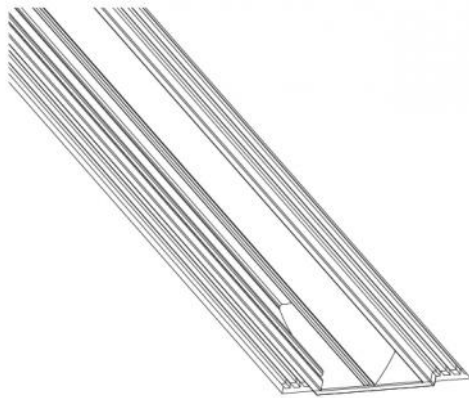
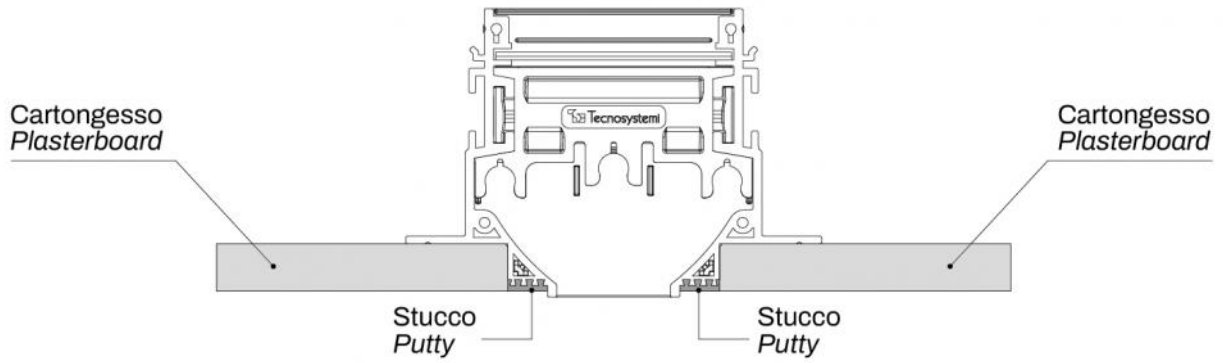
BUILT-IN INSTALLATION BOX FOR WALLS



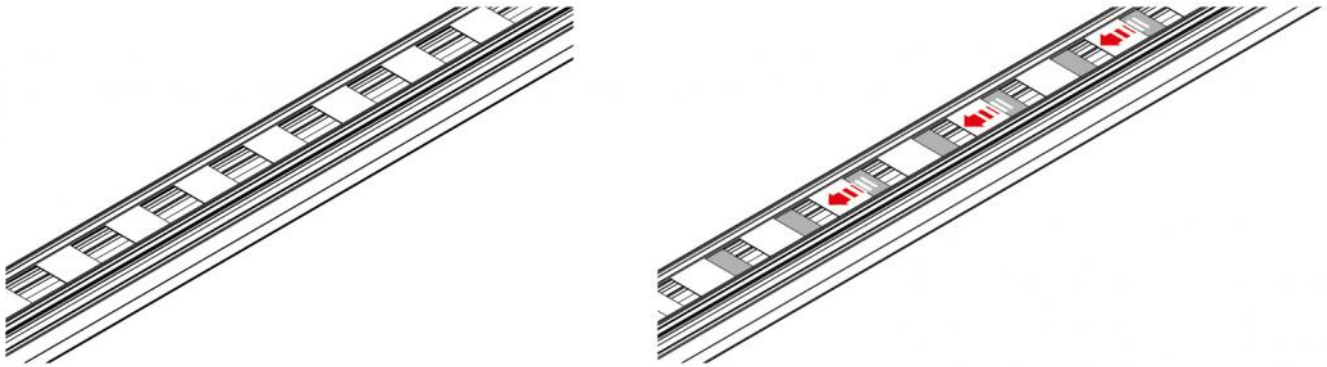
EXAMPLE OF INSTALLATION:



GROUTING

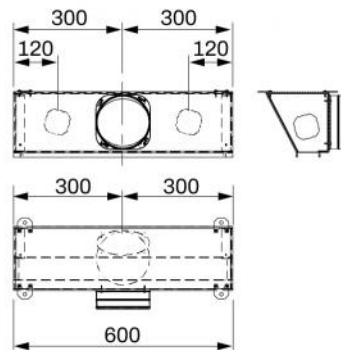


DAMPER ADJUSTMENT

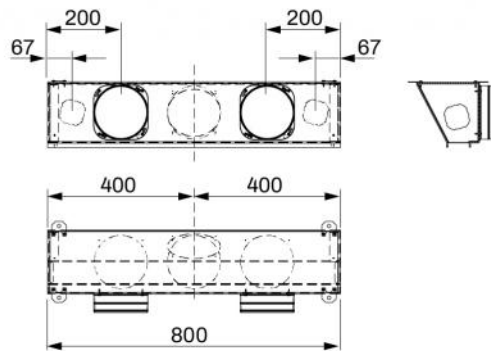


Use a screwdriver to adjust the damper, acting beneath the diffuser.

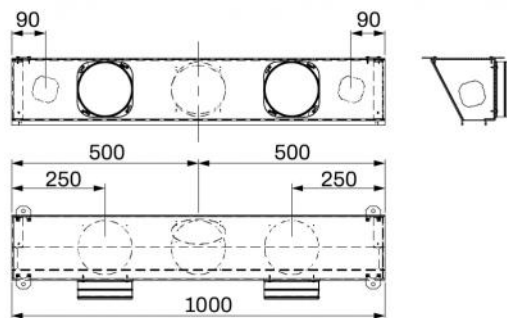
DIMENSIONAMENTI PREDISPOSIZIONI L. 600



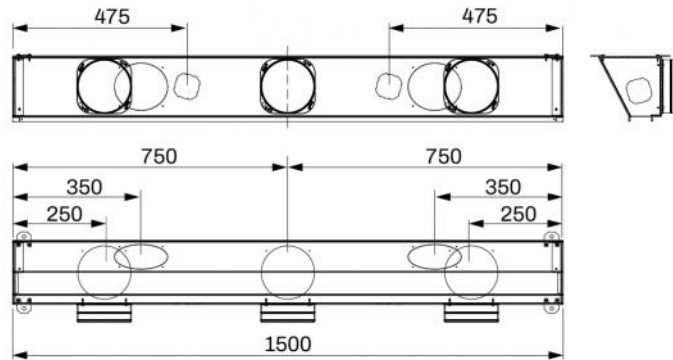
DIMENSIONAMENTI PREDISPOSIZIONI L. 800



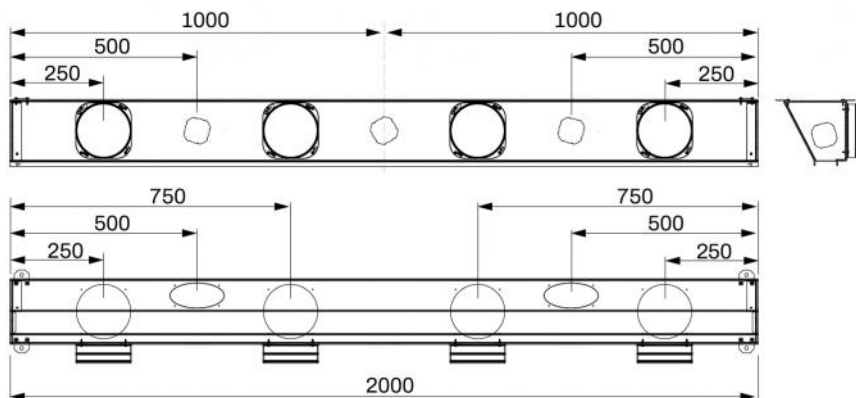
DIMENSIONAMENTI PREDISPOSIZIONI L. 1000



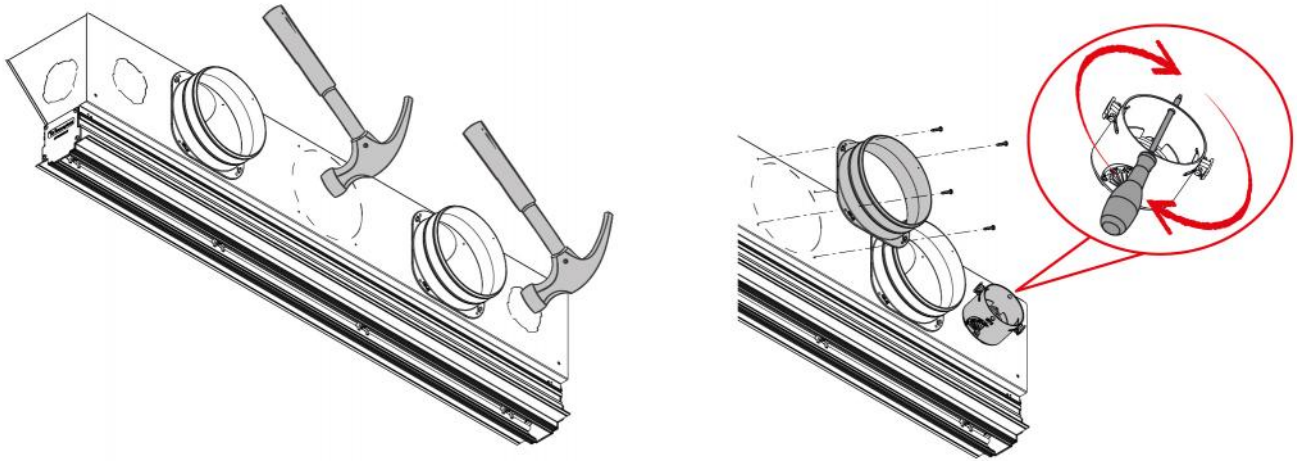
DIMENSIONAMENTI PREDISPOSIZIONI L. 1500



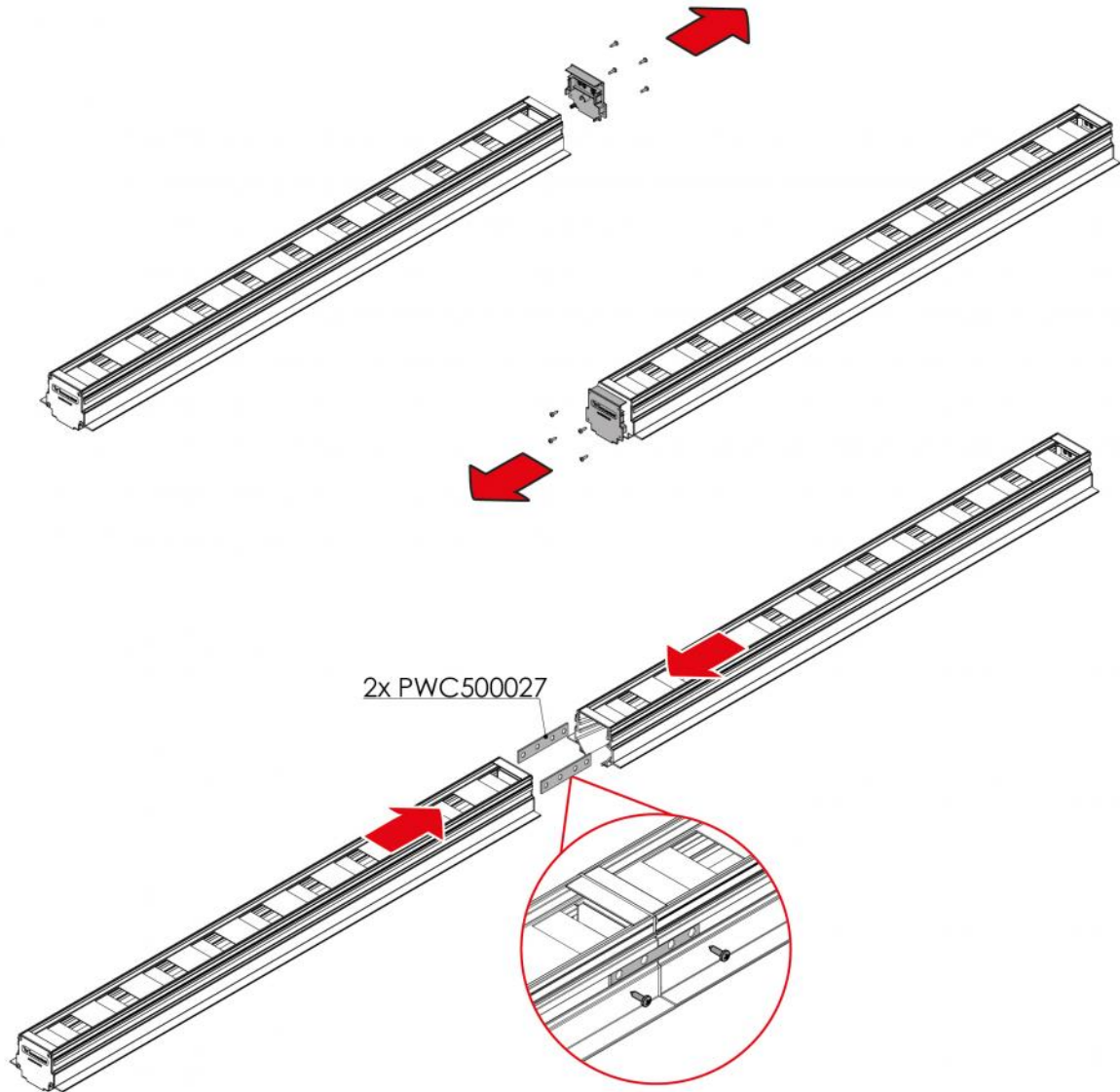
DIMENSIONAMENTI PREDISPOSIZIONI L. 2000



EXAMPLE OF COLLAR AND/OR VMC BUILT-IN INSTALLATION BOX INSTALLATION



EXAMPLE OF CONTINUITY KIT FIXING



ITEMS

CODE	DESCRIPTION
PWD301533	PLÉNUM L600mm SLOT 20mm WHITE
PWD301534	PLÉNUM L600mm SLOT 20mm BLACK
PWD301541	PLÉNUM L600mm SLOT 30mm WHITE
PWD301542	PLÉNUM L600mm SLOT 30mm BLACK
PWD301549	PLÉNUM L800mm SLOT 20mm WHITE
PWD301550	PLÉNUM L800mm SLOT 20mm BLACK
PWD301557	PLÉNUM L800mm SLOT 30mm WHITE
PWD301558	PLÉNUM L800mm SLOT 30mm BLACK
PWD301565	PLÉNUM L1000mm SLOT 20mm WHITE
PWD301566	PLÉNUM L1000mm SLOT 20mm BLACK
PWD301573	PLÉNUM L1000mm SLOT 30mm WHITE
PWD301574	PLÉNUM L1000mm SLOT 30mm BLACK
PWD301581	PLÉNUM L1500mm SLOT 20mm WHITE
PWD301582	PLÉNUM L1500mm SLOT 20mm BLACK
PWD301589	PLÉNUM L1500mm SLOT 30mm WHITE
PWD301590	PLÉNUM L1500mm SLOT 30mm BLACK
PWD301597	PLÉNUM L2000mm SLOT 20mm WHITE
PWD301598	PLÉNUM L2000mm SLOT 20mm BLACK
PWD301605	PLÉNUM L2000mm SLOT 30mm WHITE
PWD301606	PLÉNUM L2000mm SLOT 30mm BLACK

All rights relating to this publication are the exclusive property of Tecnosystemi SpA.
 Tecnosystemi SpA reserves the right to make changes at any time and without notice, for technical or commercial needs.