

STEALTH 3X

built-in wired backlit programmable thermostat with touch

- cod. GAD100015



DESCRIPTION

The STEALTH 3X chronothermostat is the flush-mounted version of the “PROAIR MULTIZONE” system. The chronothermostat is wall-mounted quickly on a built-in E503 type box using the adapter, screws and plugs supplied.

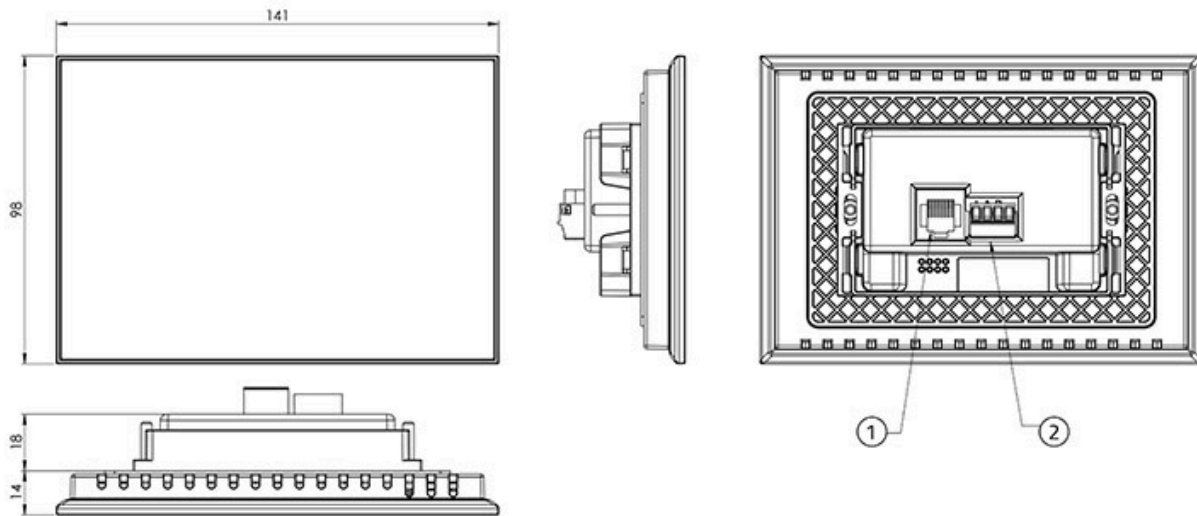
The programmable chronothermostat is equipped with a backlit 4.5” LCD display and a touch keypad.

Power supply and data transmission with the POLARIS controller takes place via 4-pin (4x0.22 mm²) BUS-type wiring. The STEALTH 3X zone chronothermostat works exclusively together with the POLARIS controller.

FUNCTIONS

- Touch keypad and backlit display
- Timed or manual features
- Automatic or manual opening adjustment of damper and grille
- Key lock
- Temperature scale °C / °F
- RH display in %
- Room temperature and set point value
- Clock (AM - PM / 24h)
- Weekly and monthly programming
- Protrusion from flush wall 15 mm
- Ducted set point adjustment (if present in the system)
- Fan coil or ducted speed adjustment.

DIMENSIONS

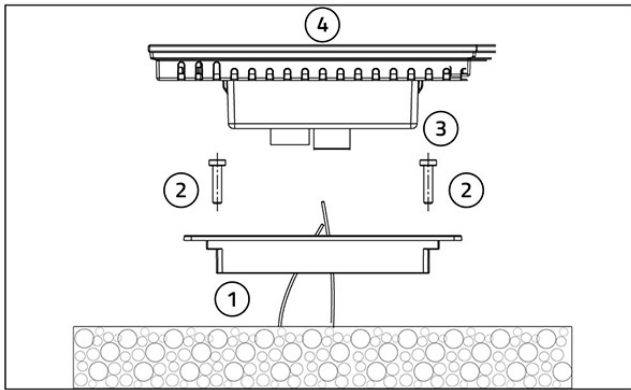


- [1] RJ45 connector
- [2] Polarised 4-pin connector

TECHNICAL SPECIFICATIONS

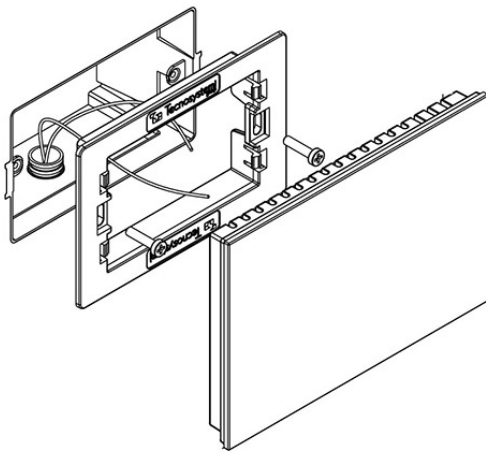
TECHNICAL SPECIFICATIONS	
Power supply:	4-pin shielded and twisted cable 4x0.22 mm ² or RJ45
Protection rating:	IP30
Operating temperature:	0° C ÷ +40° C
Storage temperature:	-10° C ÷ +50° C
Operating humidity:	20% ÷ 80% RH
Temperature control setpoint:	10° C ÷ 35° C
Measured temperature resolution:	0.1° C
Maximum length of connecting cable	up to 100 m
Weight:	180 g
Body material:	ABS white
Front material:	white PMMA

FIXING

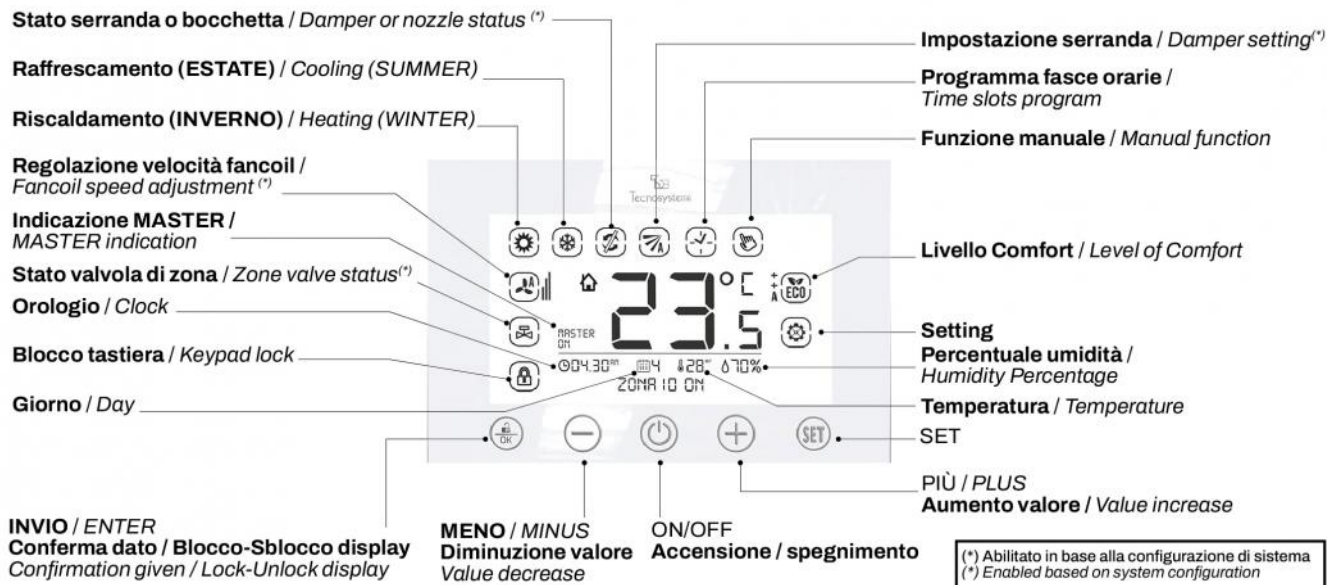


- [1] Adapter for box E503
- [2] Screw
- [3] Connector
- [4] Timed thermostat

Wall-mounted or mounted on an E503 junction box



DISPLAY



ITEMS

CODE	DESCRIPTION
GAD100015	LUMIX WHITE, BUILT-IN, CABLE PROGRAMMABLE THERMOSTAT - BACKLIT, STEALTH 3X

All rights relating to this publication are the exclusive property of Tecnosystemi SpA. Tecnosystemi SpA reserves the right to make changes at any time and without notice, for technical or commercial needs.