

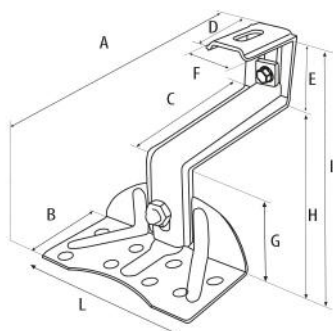
FICHES TECHNIQUES

rev. 00 - 00-00-0000

HS2DRT

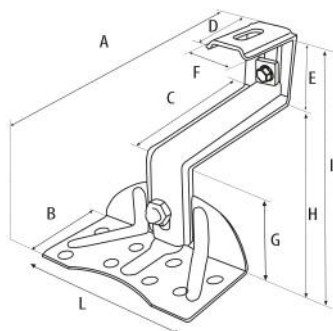
support épaisseur 3 mm double réglage
pour toitures en tuiles

11111102 - 11111102BOX



VERSION LONGUE

| CODE | A [mm] | B [mm] | C [mm] | D [mm] | E [mm] | F [mm] | G [mm] | H [mm] | I [mm] | L [mm] |
|----------|--------|--------|--------|--------|--------|--------|--------|--------|---------|--------|
| 11111102 | 190 | 70 | 120 | 60 | 60-75 | 40 | 67-78 | 70-81 | 146-172 | 120 |



VERSION COURTE

| CODE | A [mm] | B [mm] | C [mm] | D [mm] | E [mm] | F [mm] | G [mm] | H [mm] | I [mm] | L [mm] |
|----------|--------|--------|--------|--------|--------|--------|--------|--------|---------|--------|
| 11111102 | 190 | 70 | 120 | 60 | 72-97 | 40 | 53-64 | 56-67 | 136-172 | 120 |

ARTICLES

| CODE | DESCRIPTION |
|-------------|-------------|
| 11111102 | |
| 11111102BOX | |