

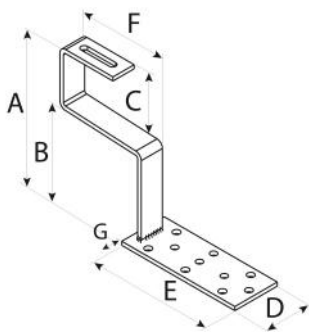
FICHES TECHNIQUES

rev. 00 - 00-00-0000

HSCL 185/105-65

support pour fixation sur toitures en tuiles

11110713Z - 11110713ZBOX



DIMENSIONS

| CODE | A [mm] | B [mm] | C [mm] | D [mm] | E [mm] | F [mm] | G [mm] |
|-------------------|--------|--------|--------|--------|--------|--------|--------|
| 11110713Z | 185 | 105 | 65 | 60 | 160 | 110 | 30 |
| 11110713ZBOX X | 185 | 105 | 65 | 60 | 160 | 110 | 30 |

ARTICLES

| CODE | DESCRIPTION |
|-------------------|--------------------------|
| 11110713Z | SUPPORT HSCL Z185/105-65 |
| 11110713ZBOX X | |